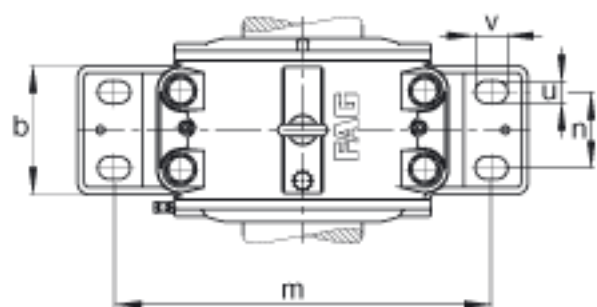
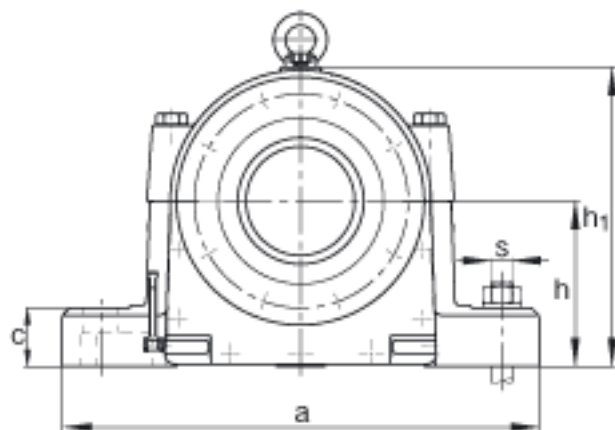
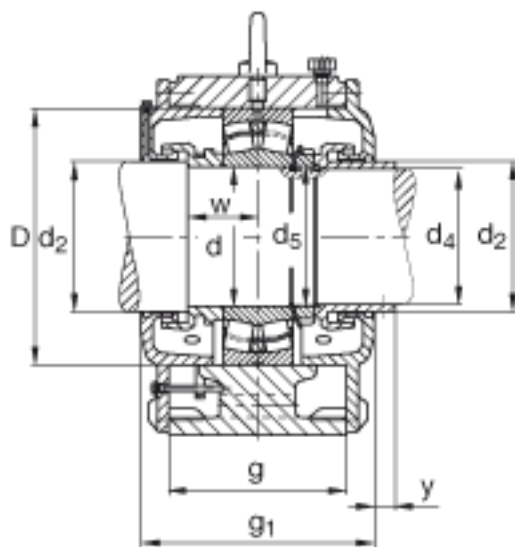
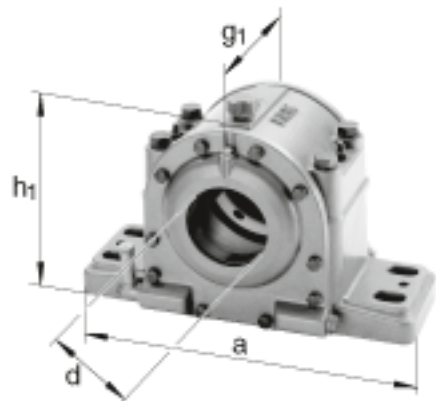


FAG LOE328-N-BF-L参数

| | | | | |
|----|----------------|---------------|----|----------|
| 尺寸 | d | 140 | mm | - |
| | a | 710 | mm | - |
| | h ₁ | 450 | mm | - |
| | g ₁ | 325 | mm | - |
| 说明 | | 80-110 | mm | 油位高度 |
| 尺寸 | b | 220 | mm | - |
| | c | 85 | mm | - |
| | D | 300 | mm | - |
| | d ₂ | 146 | mm | - |
| | d ₄ | 137 | mm | - |
| | d ₅ | M140x2 | | - |
| | g | 230 | mm | - |
| | h | 260 | mm | - |
| | m | 580 | mm | - |
| | n | 125 | mm | - |
| | s | M36 | | - |
| | u | 42 | mm | - |
| | v | 60 | mm | - |
| | w | 95 | mm | - |
| | y | 15 | mm | - |
| 说明 | | 22328 | | 型号, 轴承 |
| | | KM28 | | 型号, 锁紧螺母 |
| | | MB28 | | 型号, 爪式垫圈 |
| | | 6.7 l | | 初始润滑油量 |
| 重量 | m ₁ | 170000 | g | 质量, 轴承座 |
| 说明 | | LOE328-N-BF-L | | 型号, 轴承座 |

FAG LOE328-N-BF-L图片



参考资料:<http://www.sozhou.com/p/00d9f359.html>