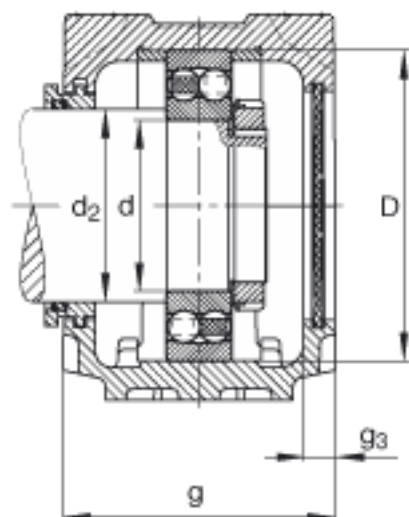
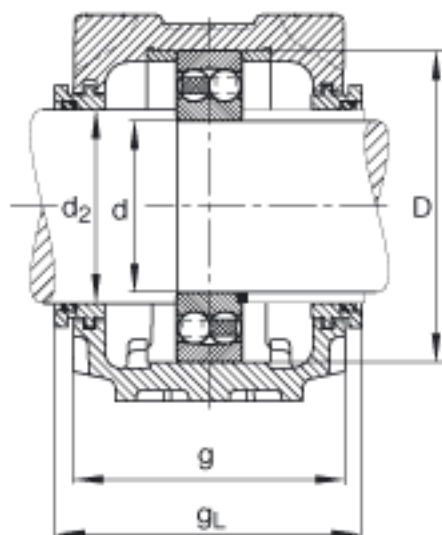


FAG SNV080-F-L + 2307 + TSV307参数

|    |                |                |         |          |
|----|----------------|----------------|---------|----------|
| 尺寸 | d              | 35             | mm      | -        |
|    | a              | 205            | mm      | -        |
|    | g              | 85             | mm      | -        |
|    | b              | 60             | mm      | -        |
|    | c              | 25             | mm      | -        |
|    | D              | 80             | mm      | -        |
|    | d <sub>2</sub> | 45             | mm      | -        |
|    | g <sub>3</sub> | 10.5           | mm      | -        |
|    | g <sub>L</sub> | 98             | mm      | -        |
|    | h              | 60             | mm      | -        |
|    | m              | 170            | mm      | -        |
|    | s              | M12            |         | -        |
|    | s              | 12.7           | mm      | -        |
|    | u              | 15             | mm      | -        |
|    | v              | 20             | mm      | -        |
|    | 重量             | m <sub>1</sub> | 2900    | g        |
| 说明 |                | 2307           |         | 型号, 轴承   |
|    |                | KM7            |         | 型号, 锁紧螺母 |
|    |                | MB7            |         | 型号, 爪式垫圈 |
|    |                | FRM80/4        |         | 型号, 定位圈  |
|    |                | TSV307         |         | 型号, 迷宫密封 |
|    |                | DKV080         |         | 型号, 端盖   |
|    | SNV080-F-L     |                | 型号, 轴承座 |          |
| 尺寸 | h <sub>1</sub> | 112            | mm      | -        |

FAG SNV080-F-L + 2307 + TSV307图片





参考资料:<http://www.sozhou.com/p/01c87af6.html>