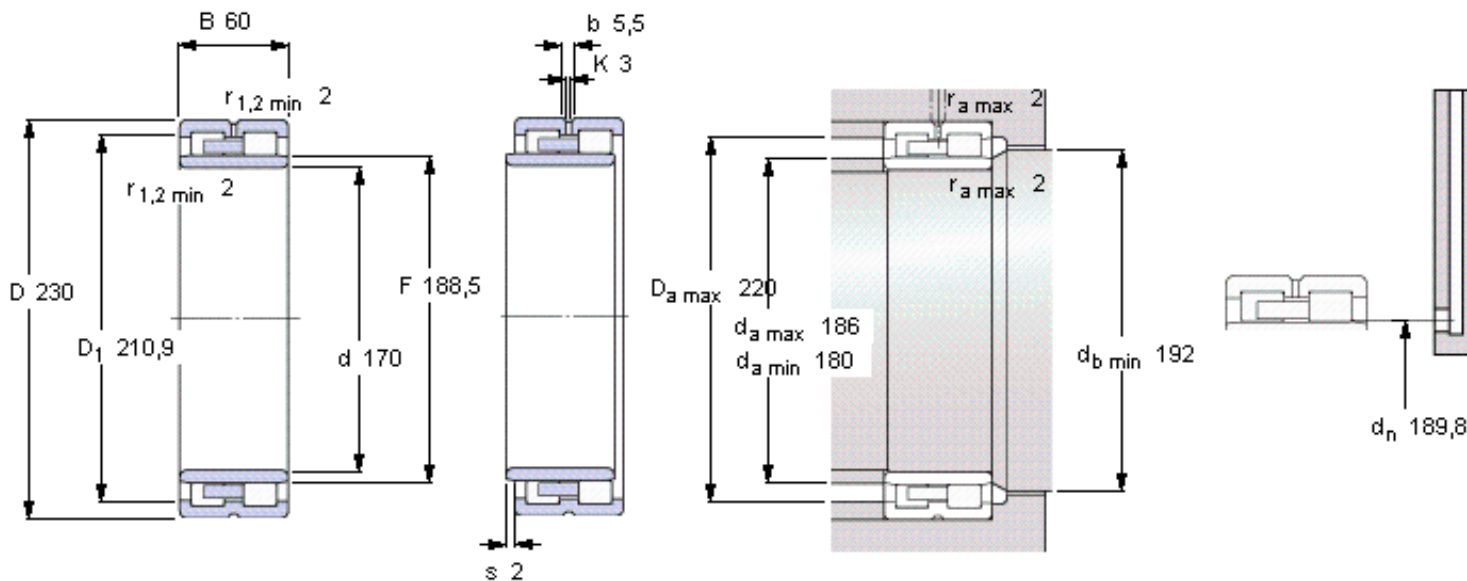


SKF NNU 4934 B/SPW33参数

| | | | | |
|--------|---------|------------------|-------|-----|
| 主要尺寸 | d | 170 | mm | - |
| | D | 230 | mm | - |
| | B | 60 | mm | - |
| 基本额定载荷 | C | 336000 | N | 动载荷 |
| | C_0 | 695000 | N | 静载荷 |
| 疲劳载荷极限 | P_u | 73500 | N | - |
| 可达转速 | Grease | 3400 | r/min | - |
| | Oil-air | 3800 | r/min | - |
| 重量 | 重量 | 6950 | g | - |
| 型号 | 型号 | NNU 4934 B/SPW33 | - | - |

SKF NNU 4934 B/SPW33图片



Reference grease quantity [cm³]

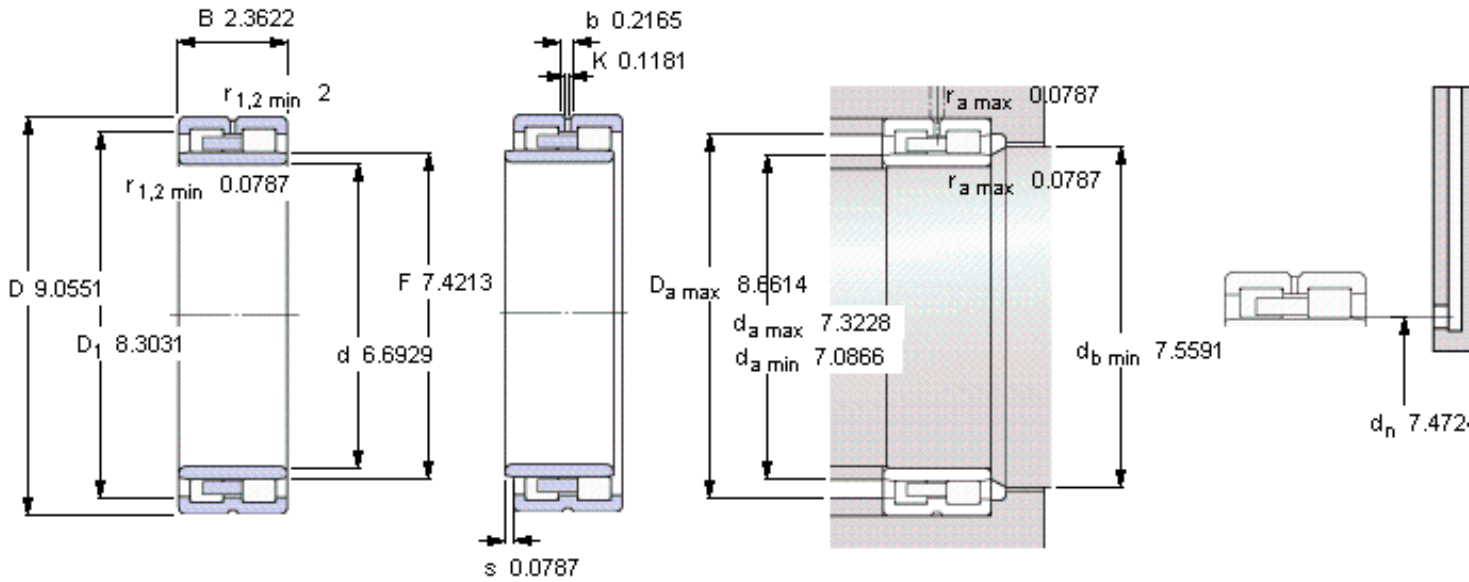
$G_{ref} = 72$

Static radial stiffness [N/ μ m]

(guideline value)

4460

参考资料: <http://www.sozhou.com/p/0390722e.html>



Reference grease quantity [cm³]

$G_{\text{ref}} 72$

Static radial stiffness [N/ μm]

(guideline value)

4460