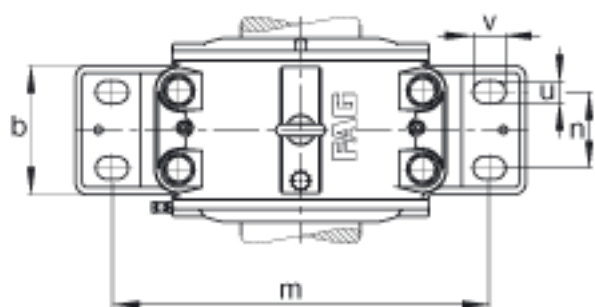
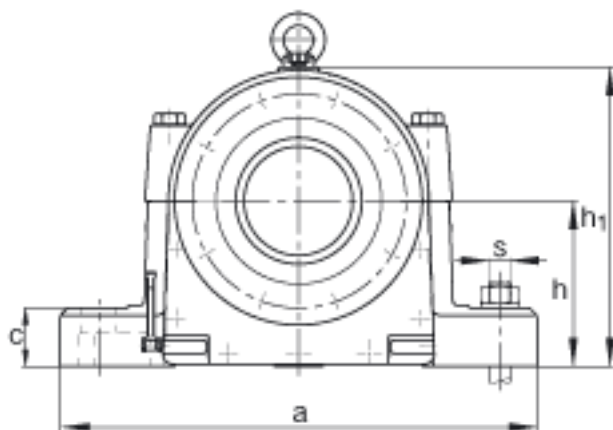
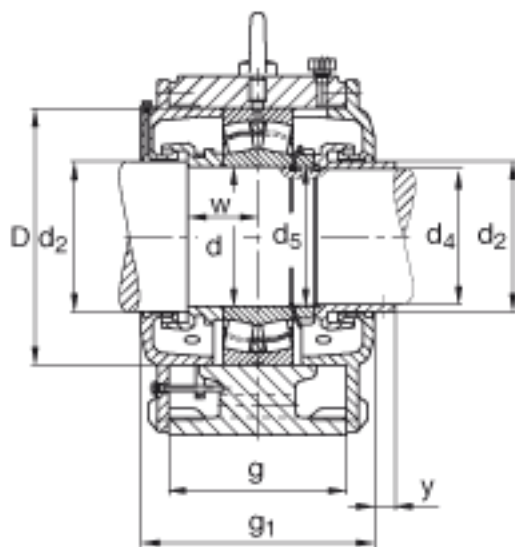
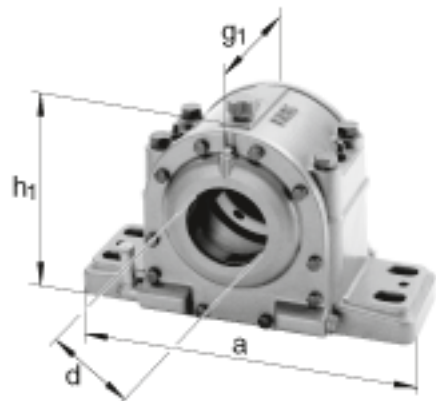


FAG LOE232-N-BF-L参数

| | | | | |
|----|----------------|---------------|----|----------|
| 尺寸 | c | 70 | mm | - |
| | D | 290 | mm | - |
| | d ₂ | 170 | mm | - |
| | d ₄ | 155 | mm | - |
| | d ₅ | M160x3 | | - |
| | g | 210 | mm | - |
| | h | 220 | mm | - |
| | m | 530 | mm | - |
| | n | 110 | mm | - |
| | s | M36 | | - |
| | u | 42 | mm | - |
| | v | 60 | mm | - |
| | w | 80 | mm | - |
| | y | 22 | mm | - |
| 说明 | | 22232 | | 型号, 轴承 |
| | | KM32 | | 型号, 锁紧螺母 |
| | | MB32 | | 型号, 爪式垫圈 |
| | | 4.7 l | | 初始润滑油量 |
| 重量 | m ₁ | 136000 | g | 质量, 轴承座 |
| 说明 | | LOE232-N-BF-L | | 型号, 轴承座 |
| 尺寸 | d | 160 | mm | - |
| | a | 660 | mm | - |
| | h ₁ | 400 | mm | - |
| | g ₁ | 290 | mm | - |
| 说明 | | 60-80 | mm | 油位高度 |
| 尺寸 | b | 200 | mm | - |

FAG LOE232-N-BF-L图片



参考资料:<http://www.sozhou.com/p/0682336c.html>