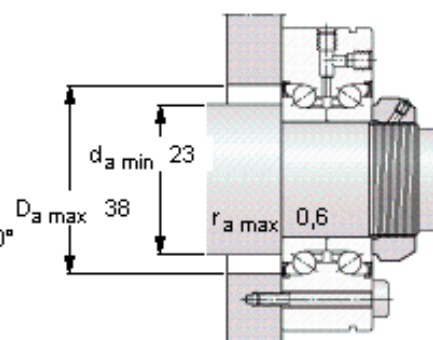
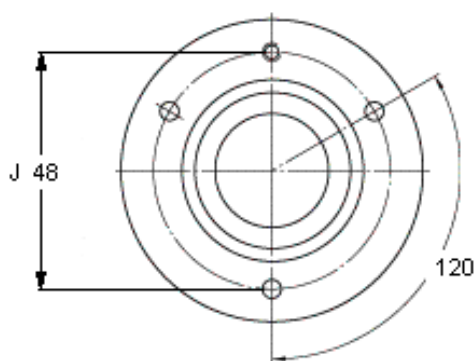
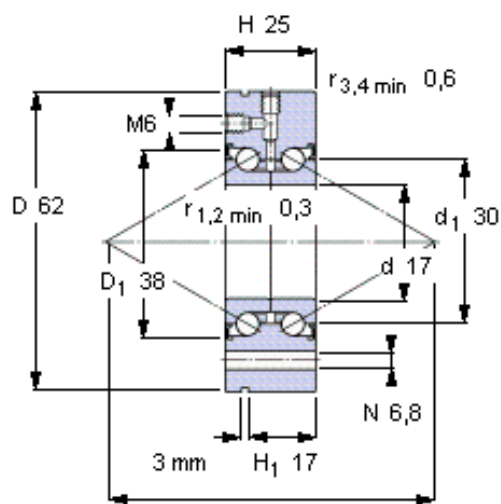


SKF BEAM 017062-2RZ参数

| | | | | |
|--------|------------------|-----------------|-------|-----|
| 主要尺寸 | d | 17 | mm | - |
| | D | 62 | mm | - |
| | H | 25 | mm | - |
| 基本额定载荷 | C | 19000 | N | 动载荷 |
| | C_0 | 31000 | N | 静载荷 |
| 疲劳载荷极限 | P_u | 1160 | N | - |
| 可达转速 | Attainable speed | 6300 | r/min | - |
| 重量 | 重量 | 450 | g | - |
| 型号 | 型号 | BEAM 017062-2RZ | - | - |

SKF BEAM 017062-2RZ图片



Preload¹⁾ [N]

720

Frictional moment¹⁾ [Nm]

(guideline value)

0,12

¹⁾ Values apply to unmounted bearings

Static stiffness¹⁾

(guideline values)

Axial [N/μm]

420

Moment [Nm/mrad]

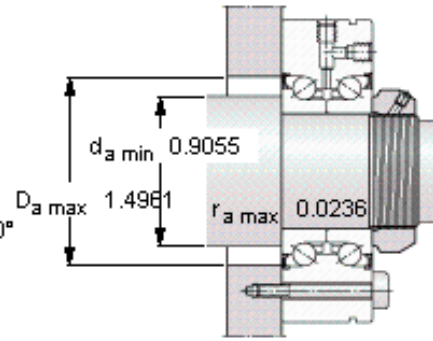
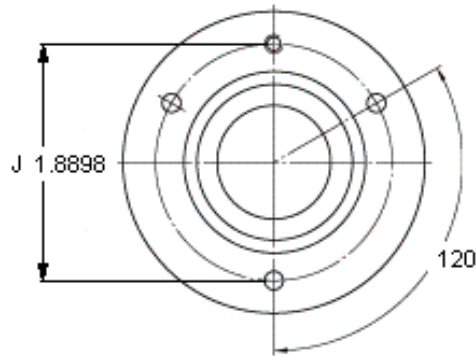
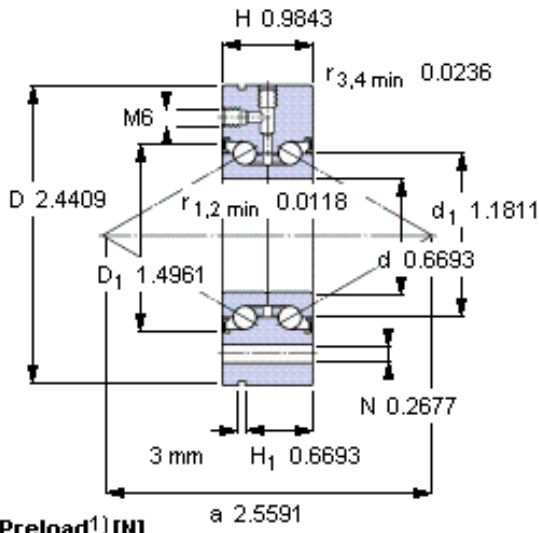
80

Required attachment bolts

(no. of bolts x pitch)

3 x 120°

参考资料: <http://www.sozhou.com/p/07897aa7.html>



Preload¹⁾ [N]

720

Frictional moment¹⁾ [Nm]

(guideline value)

0,12

¹⁾ Values apply to unmounted bearings

Static stiffness¹⁾

(guideline values)

Axial [N/ μm] 420

Moment [Nm/mrad] 80

Required attachment bolts

(no. of bolts x pitch)

3 x 120°