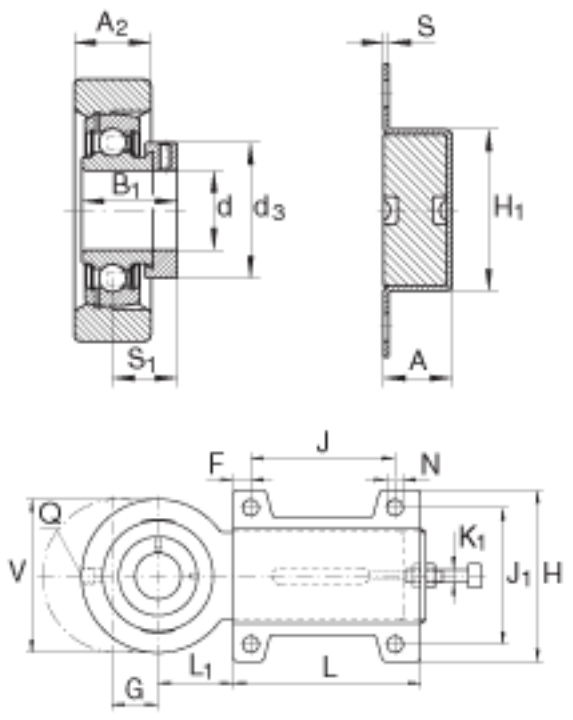
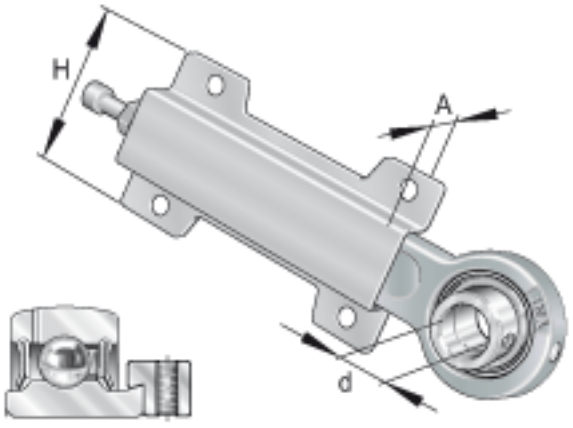


INA PHUSE35参数

| | | | | | |
|--------------|--------------|----------------------------|------|-------------|----|
| 尺寸 | H_1 | 52 | mm | - | |
| | J | 140 | mm | - | |
| | J_1 | 80 | mm | - | |
| | K_1 | M12 | | - | |
| | L | 187 | mm | - | |
| | L_1 | 50 | mm | - | |
| | N | 11.5 | mm | - | |
| | Q | Rp 1/8 | | - | |
| | S | 4 | mm | - | |
| | S_1 | 29.4 | mm | - | |
| | V | 98 | mm | - | |
| | 重量 | m | 2460 | g | 质量 |
| | 尺寸 | d | 35 | mm | - |
| H | | 103 | mm | - | |
| A | | 28 | mm | - | |
| A_2 | | 22 | mm | - | |
| B_1 | | 39 | mm | - | |
| $d_{3 \max}$ | | 51 | mm | - | |
| F | | 20 | mm | - | |
| G | | 65 | mm | - | |
| 说明 | | GG. HUE07 / GEH. HUSE07 | | 轴承座的型号 | |
| | | GRAE35-NPP-B | | 轴承的型号 | |
| 承载力 | $C_{0r \ G}$ | 15300 | N | 轴承座的径向承载能力 | |
| 基本额定载荷 | C_r | 25500 | N | 基本额定动载荷, 径向 | |
| | C_{0r} | 15300 | N | 基本额定静载荷, 径向 | |

INA PHUSE35图片



参考资料:<http://www.sozhou.com/p/08bf22f9.html>