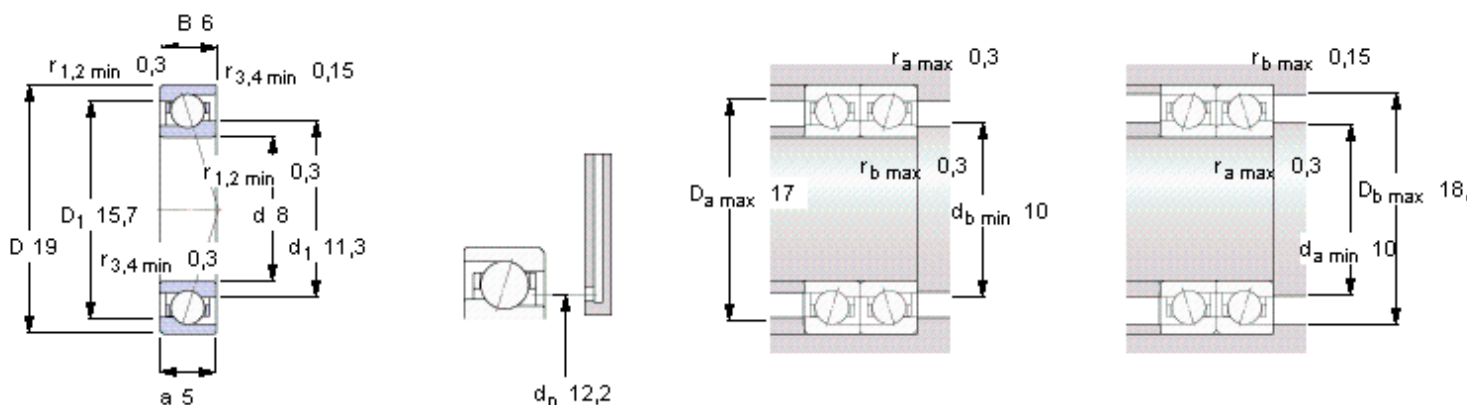


SKF 719/8 CE/HCP4A参数

主要尺寸	d	8	mm	-
	D	19	mm	-
	B	6	mm	-
基本额定载荷	C	1740	N	动载荷
	C_0	630	N	静载荷
疲劳载荷极限	P_u	27	N	-
可达转速	Grease	145000	r/min	-
	Oil-air	220000	r/min	-
重量	重量	6	g	-
型号	型号	719/8 CE/HCP4A	-	-

SKF 719/8 CE/HCP4A图片



Ball diameter 3,175

Number of balls 9

未安装时的预载荷 [N]

背对背配置，面对面配置

预载荷等级

A	B	C	D
9	27	55	-

Static axial stiffness [N/μm]

(guideline value)

预载荷等级

A	B	C	D
9	14	20	-

Reference grease quantity [cm³]

G_{ref} 0,09

计算系数

for equivalent bearing load

f_0 7,2

for preload in mounted bearing sets

f 1,02

f_1 1

f_{2A} 1

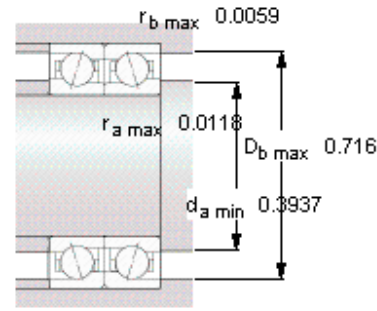
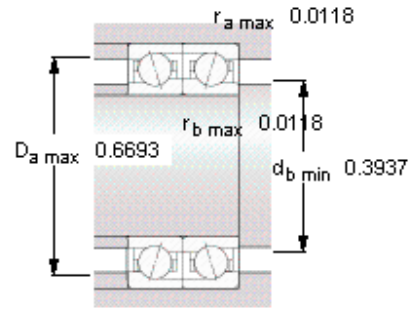
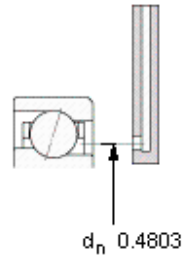
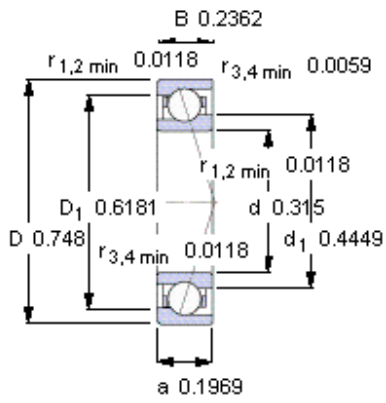
f_{2B} 1,05

f_{2C} 1,09

f_{2D} -

f_{HC} 1,01

参考资料: <http://www.sozhou.com/p/0ab31074.html>



Ball diameter 3,175

Number of balls 9

未安装时的预载荷 [N]

背对背配置，面对面配置

预载荷等级

A	B	C	D
9	27	55	-

Static axial stiffness [N/μm]

(guideline value)

预载荷等级

A	B	C	D
9	14	20	-

Reference grease quantity [cm³]

G_{ref} 0,09

计算系数

for equivalent bearing load

f₀ 7,2

for preload in mounted bearing sets

f 1,02

f₁ 1

f_{2A} 1

f_{2B} 1,05

f_{2C} 1,09

f_{2D} -

f_{HC} 1,01