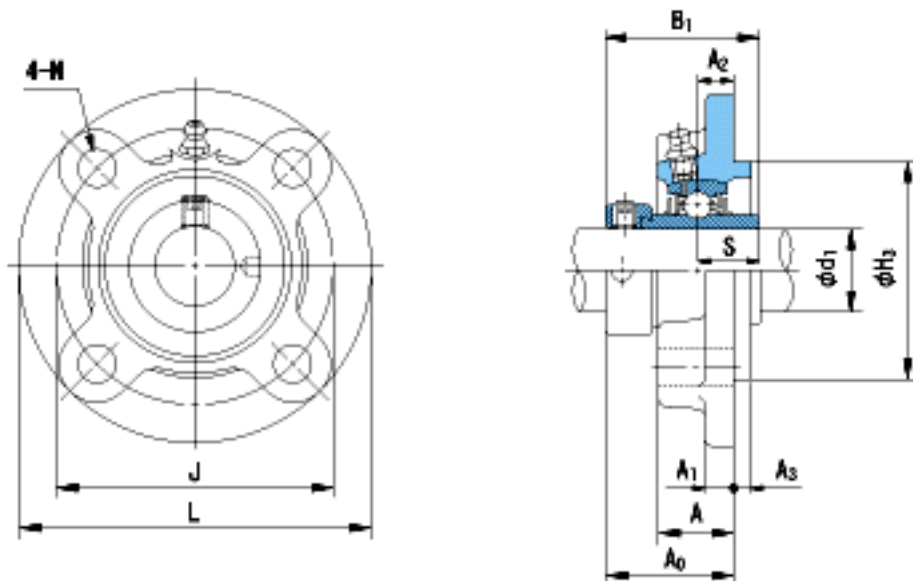


NACHI UGFC206参数

| | | | | | |
|------|--------|------|-------|-----|-----|
| 外形尺寸 | L | 125 | mm | - | |
| | J | 100 | mm | - | |
| | N | 12 | mm | - | |
| 安装尺寸 | d1 | 30 | mm | - | |
| | A | 23 | mm | - | |
| | A1 | 8 | mm | - | |
| | A2 | 10 | mm | - | |
| | A3 | 8 | mm | - | |
| | H3 | 80 | mm | - | |
| | A0 | 40.1 | mm | - | |
| | B1 | 48.4 | mm | - | |
| | S | 18.3 | mm | - | |
| | 重量 | Mass | 1200 | g | 重量 |
| | 基本额定载荷 | Cr | 19600 | N | 动载荷 |
| | | Cor | 11300 | N | 静载荷 |
| 极限速度 | Grease | - | r/min | 脂润滑 | |
| | Oil | - | r/min | 油润滑 | |

NACHI UGFC206图片



参考资料:<http://www.sozhou.com/p/0fb43682.html>