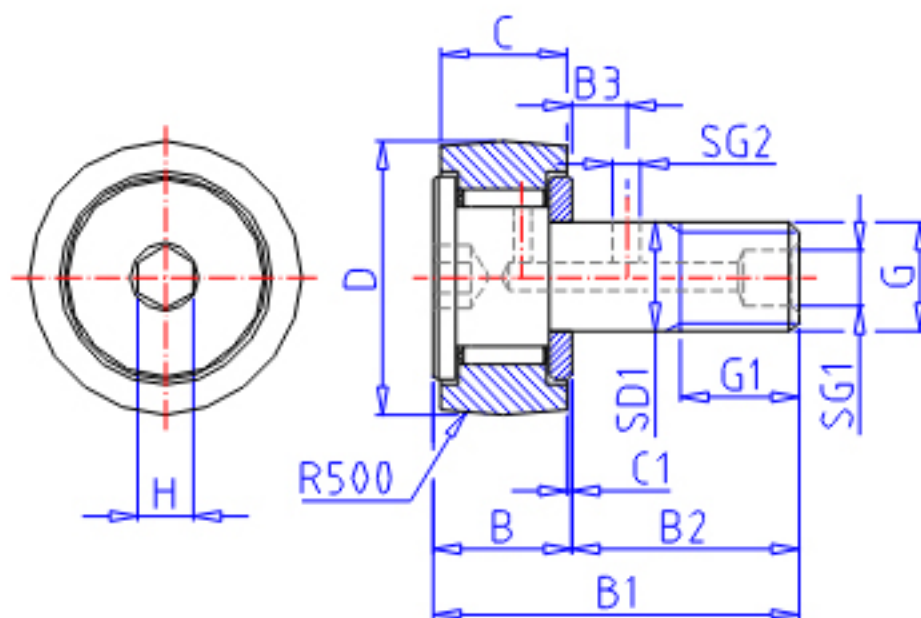


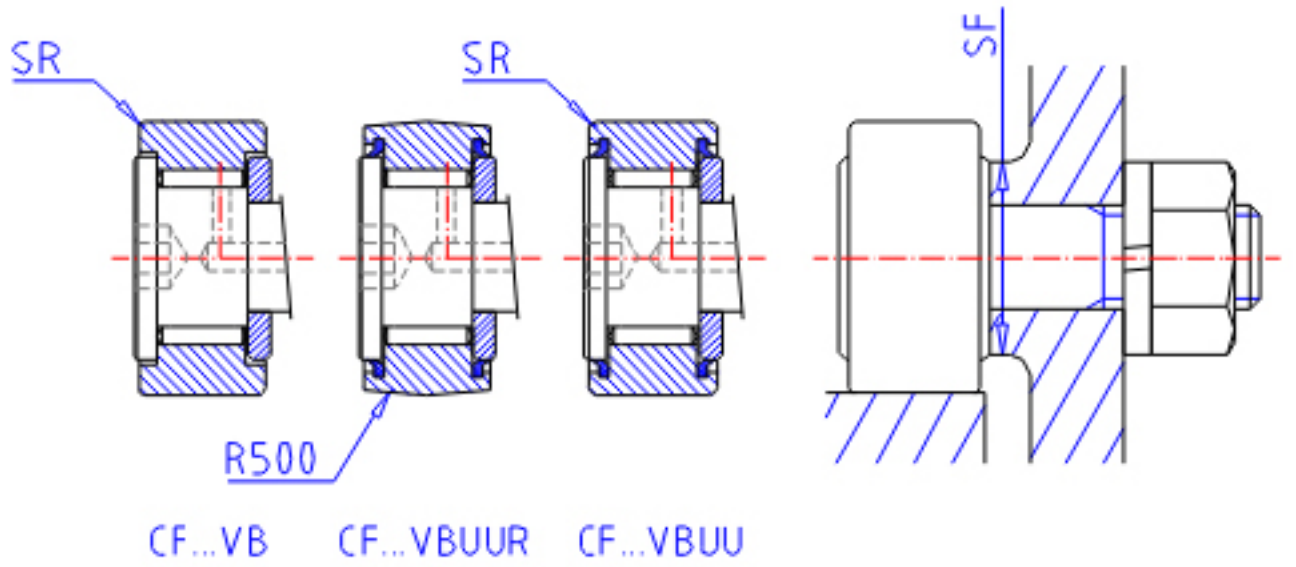
IKO CF 8VB参数

| | | | | |
|----------|-------|---------|-----|----------|
| 杆端直径 | STDRT | 8 | mm | 杆端直径 |
| 型号 | ORDER | CF 8VB | | 型号 |
| 重量 | MASS | 29 | g | 重量 |
| 主要尺寸 | D | 19 | mm | - |
| | C | 11 | mm | - |
| | SD1 | 8 | mm | - |
| | G | M8x1.25 | | 螺纹规格 |
| | G1 | 10 | mm | 螺纹尺寸 |
| | GD | 4 | mm | - |
| | GW | 1.0 | mm | - |
| | B | 12.2 | mm | - |
| | B1 | 32 | mm | - |
| | B2 | 20 | mm | - |
| | B3 | - | mm | - |
| | C1 | 0.6 | mm | - |
| | SG1 | - | mm | - |
| | SG2 | - | mm | - |
| | H | 4 | mm | - |
| | SR | 0.3 | mm | (最小) |
| | 安装尺寸 | SF | 13 | mm |
| 最大拧紧扭矩 | TRQ | 6.5 | N.m | - |
| 基本额定载荷 | CR | 8170 | N | 动载荷 |
| | COR | 11200 | N | 静载荷 |
| 最大静态容许负荷 | FMAX | 4620 | N | 最大静态容许负荷 |

IKO CF 8VB图片



CF...VBR



参考资料:<http://www.sozhou.com/p/19c79e05.html>

