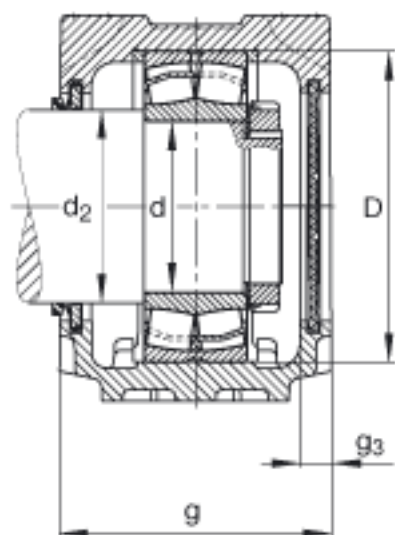
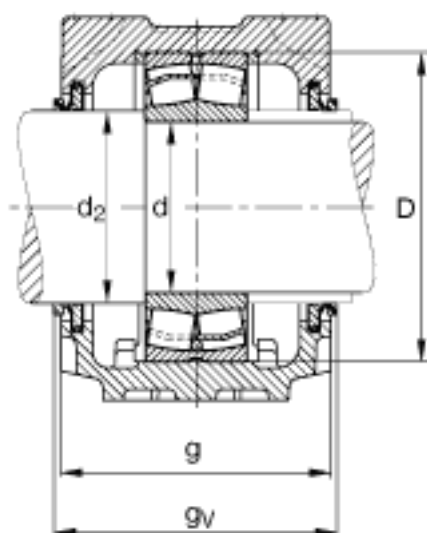


FAG SNV190-F-L + 22318 + DHV318参数

|    |                |                |         |           |
|----|----------------|----------------|---------|-----------|
| 尺寸 | d              | 90             | mm      | -         |
|    | a              | 380            | mm      | -         |
|    | h <sub>1</sub> | 229            | mm      | -         |
|    | g              | 155            | mm      | -         |
|    | b              | 110            | mm      | -         |
|    | c              | 40             | mm      | -         |
|    | D              | 190            | mm      | -         |
|    | d <sub>2</sub> | 105            | mm      | -         |
|    | g <sub>3</sub> | 15             | mm      | -         |
|    | h              | 112            | mm      | -         |
|    | m              | 320            | mm      | -         |
|    | s              | M24            |         | -         |
|    | s              | 22. 225        | mm      | -         |
|    | u              | 26             | mm      | -         |
|    | v              | 32             | mm      | -         |
|    | 重量             | m <sub>1</sub> | 22000   | g         |
| 说明 |                | 22318          |         | 型号, 轴承    |
|    |                | KM18           |         | 型号, 锁紧螺母  |
|    |                | MB18           |         | 型号, 爪式垫圈  |
|    |                | FRM190/5       |         | 型号, 定位圈   |
|    |                | DHV318         |         | 型号, V 型密封 |
|    |                | DKV160         |         | 型号, 端盖    |
|    | SNV190-F-L     |                | 型号, 轴承座 |           |
| 尺寸 | g <sub>V</sub> | 162. 5         | mm      | -         |

FAG SNV190-F-L + 22318 + DHV318图片





参考资料:<http://www.sozhou.com/p/2a53e79b.html>