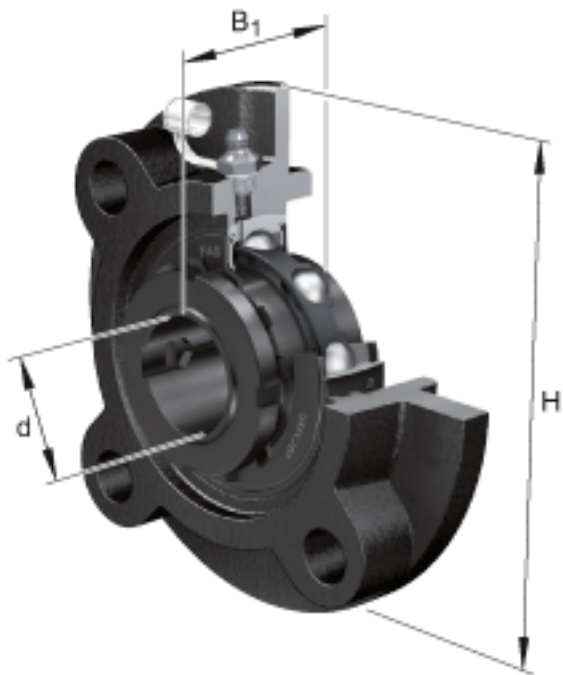
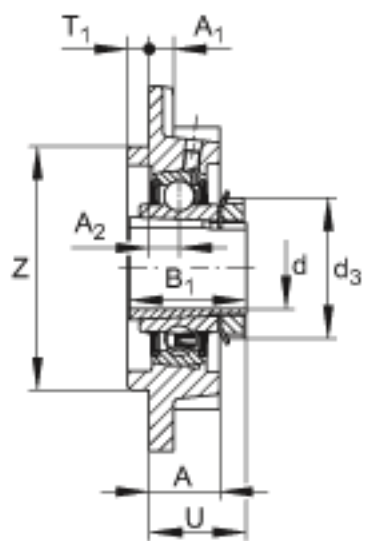
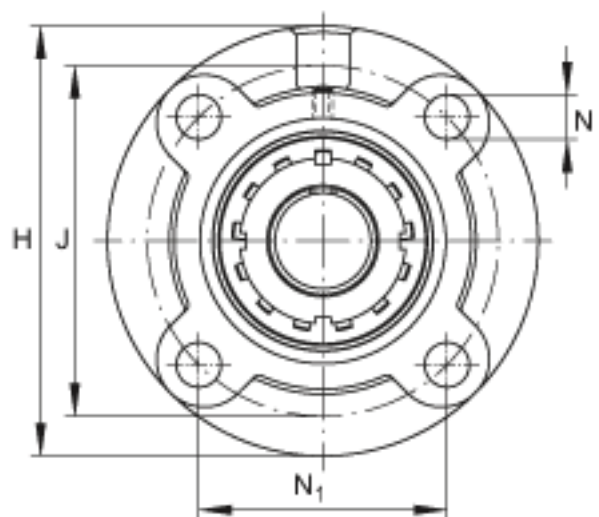


### FAG UKFC217参数

|    |                    |       |       |            |
|----|--------------------|-------|-------|------------|
| 尺寸 | d                  | 75    | mm    | -          |
|    | H                  | 250   | mm    | -          |
|    | B <sub>1</sub>     | 82    | mm    | -          |
|    | A                  | 45    | mm    | -          |
|    | A <sub>1</sub>     | 20    | mm    | -          |
|    | A <sub>2</sub>     | 18    | mm    | -          |
|    | d <sub>3 max</sub> | 110   | mm    | -          |
|    | J                  | 208   | mm    | -          |
|    | N                  | 23    | mm    | -          |
|    | N <sub>1</sub>     | 147.1 | mm    | -          |
|    | T <sub>1</sub>     | 18    | mm    | -          |
|    | Z                  | 180   | mm    | -          |
|    | 重量                 | m     | 10810 | g          |
| 说明 |                    | FC217 |       | 型号, 轴承座    |
|    |                    | UK217 |       | 型号, 外球面球轴承 |

### FAG UKFC217图片





参考资料:<http://www.sozhou.com/p/2bc40a18.html>