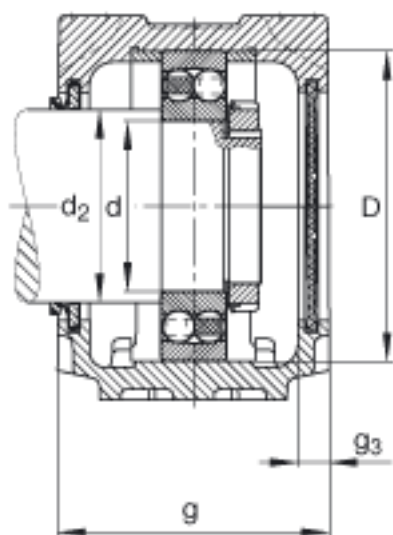
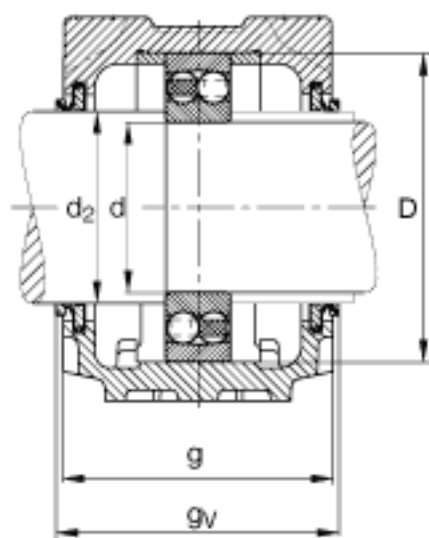
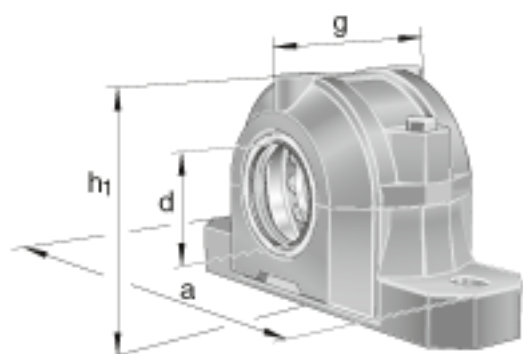
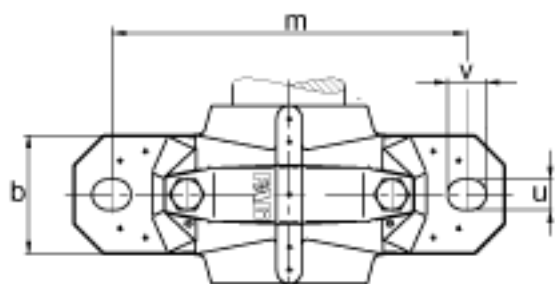


FAG SNV160-F-L + 1218 + DHV218参数

| | | | | |
|----|----------------|-------------|----|-----------|
| 尺寸 | d | 90 | mm | - |
| | a | 345 | mm | - |
| | h ₁ | 201 | mm | - |
| | g | 145 | mm | - |
| | b | 100 | mm | - |
| | c | 35 | mm | - |
| | D | 160 | mm | - |
| | d ₂ | 100 | mm | - |
| | g ₃ | 15 | mm | - |
| | g _v | 152.5 | mm | - |
| | h | 100 | mm | - |
| | m | 290 | mm | - |
| | s | M20 | | - |
| | s | 19.05 | mm | - |
| | u | 22 | mm | - |
| | v | 27 | mm | - |
| 重量 | m ₁ | 12800 | g | 质量, 轴承座 |
| 说明 | | 1218 | | 型号, 轴承 |
| | | KM18 | | 型号, 锁紧螺母 |
| | | MB18 | | 型号, 爪式垫圈 |
| | | FRM160/17.5 | | 型号, 定位圈 |
| | | DHV218 | | 型号, V 型密封 |
| | | DKV160 | | 型号, 端盖 |
| | | SNV160-F-L | | 型号, 轴承座 |

FAG SNV160-F-L + 1218 + DHV218图片





参考资料:<http://www.sozhou.com/p/2d550984.html>