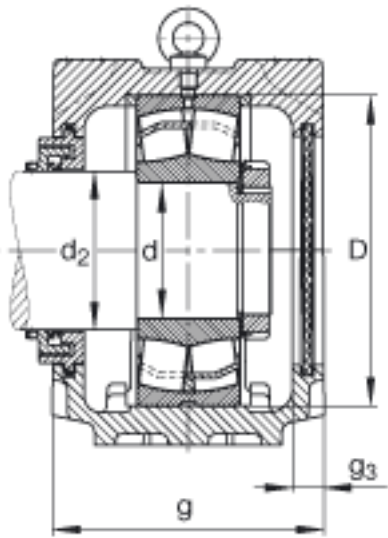
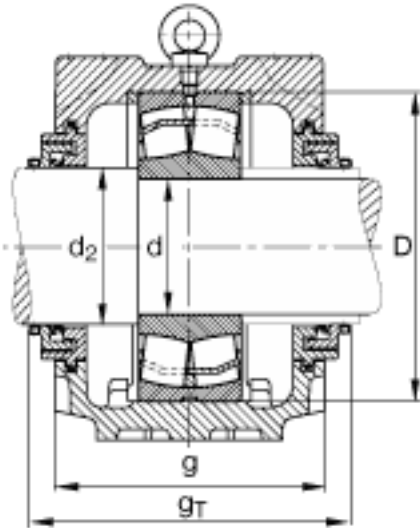
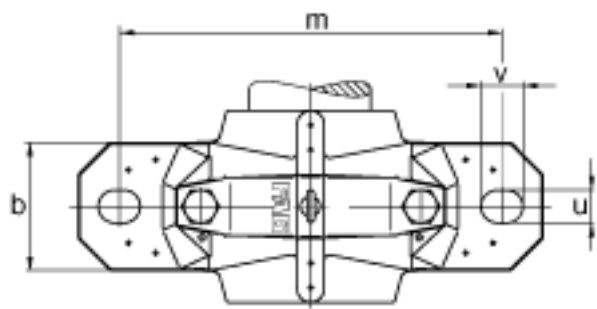
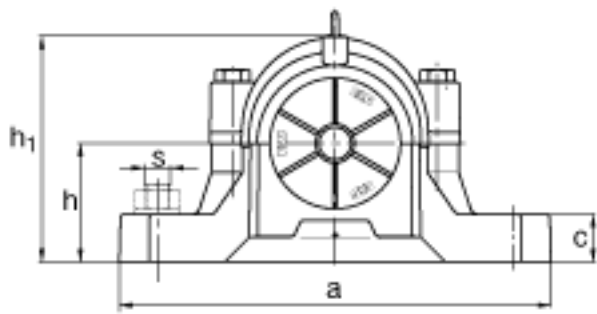


FAG SNV215-F-L + 21320 + TCV320参数

| | | | | |
|----|----------------|-------------|----|-----------------|
| 说明 | | DKV215 | | 型号, 端盖 |
| | | SNV215-F-L | | 型号, 轴承座 |
| 尺寸 | d | 100 | mm | - |
| | a | 410 | mm | - |
| | h ₁ | 271 | mm | - |
| | g | 180 | mm | - |
| | b | 120 | mm | - |
| | c | 45 | mm | - |
| | D | 215 | mm | - |
| | d ₂ | 115 | mm | - |
| | g ₃ | 16 | mm | - |
| | g _T | 226.5 | mm | - |
| | h | 140 | mm | - |
| | m | 350 | mm | - |
| | s | M24 | | - |
| | s | 22.225 | mm | - |
| | u | 26 | mm | - |
| | v | 32 | mm | - |
| 重量 | m ₁ | 24500 | g | 质量, 轴承座 |
| 说明 | | 21320 | | 型号, 轴承 |
| | | KM20 | | 型号, 锁紧螺母 |
| | | MB20 | | 型号, 爪式垫圈 |
| | | FRM215/19.5 | | 型号, 定位圈 |
| | | TCV320 | | 型号, Taconite 密封 |

FAG SNV215-F-L + 21320 + TCV320图片





参考资料:<http://www.sozhou.com/p/2ddad529.html>