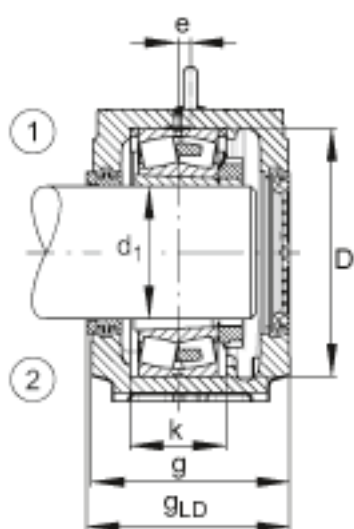
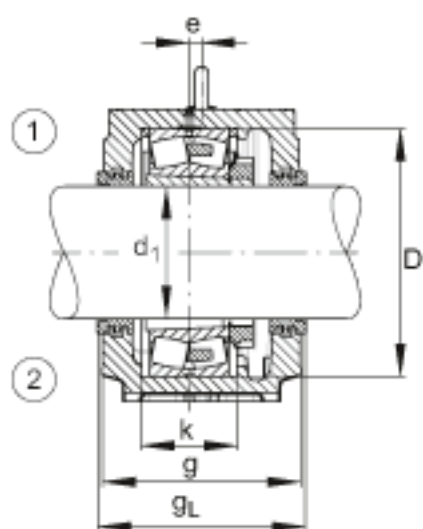
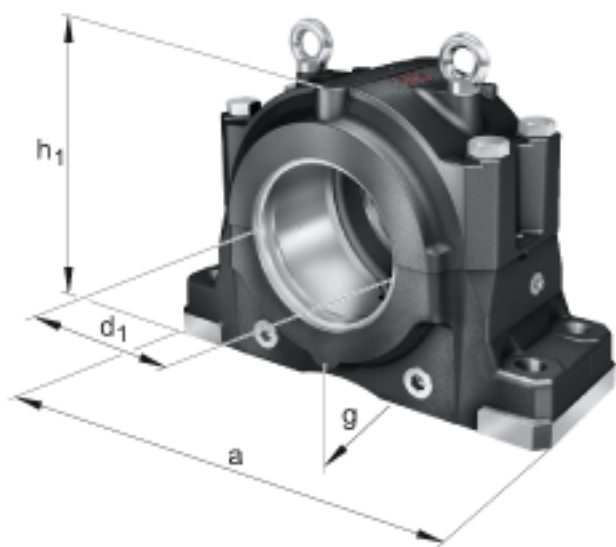
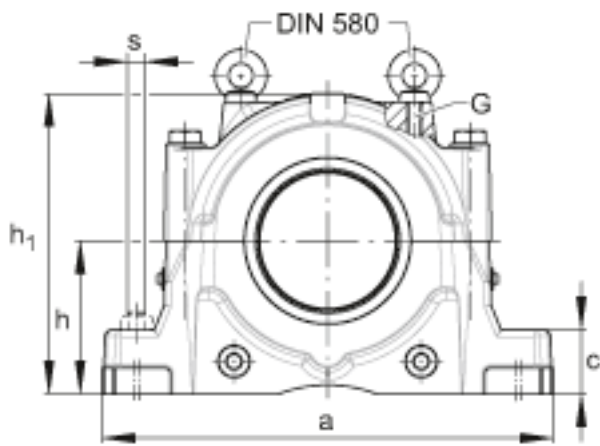
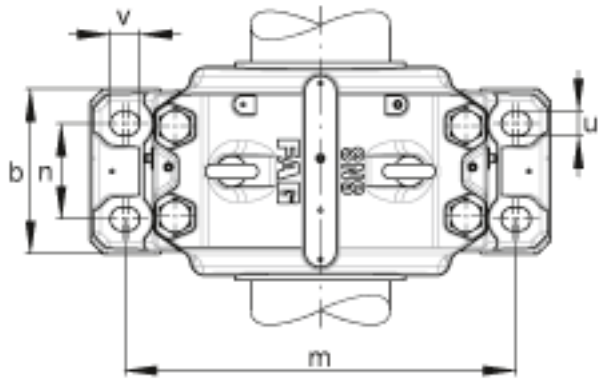


FAG SNS3080-H-D + 23080K + H3080X1500 + 2 NFR600/22 + NTS80X1500 + NDK80参数

|    |                 |            |        |                  |
|----|-----------------|------------|--------|------------------|
| 尺寸 | d <sub>1</sub>  | 381        | mm     | -                |
|    | a               | 1000       | mm     | -                |
|    | h <sub>1</sub>  | 695        | mm     | -                |
|    | g               | 400        | mm     | -                |
| 说明 | 1)              |            |        | 定位轴承             |
|    | 2)              |            |        | 浮动轴承             |
| 尺寸 | b               | 360        | mm     | -                |
|    | c               | 120        | mm     | -                |
|    | D               | 600        | mm     | -                |
|    | e               | 30         | mm     | -                |
|    | g <sub>L</sub>  | 411        | mm     | -                |
|    | g <sub>LD</sub> | 405.5      | mm     | -                |
|    | h               | 350        | mm     | -                |
|    | k               | 192        | mm     | -                |
|    | m               | 840        | mm     | -                |
|    | n               | 220        | mm     | -                |
|    | s               | 36         | mm     | -                |
|    | u               | 42         | mm     | -                |
|    | v               | 50         | mm     | -                |
|    | 重量              | m          | 504000 | g                |
| 说明 |                 | 23080K     |        | 轴承               |
|    |                 | H3080X1500 |        | 紧定套              |
|    |                 | NFR600/22  |        | 固定环 2件           |
|    |                 | NTS80X1500 |        | 迷宫式密封            |
|    |                 | NDK80      |        | 端盖               |
|    |                 | M36        |        | 符合DIN 580标准的带孔螺栓 |
|    | SNS3080-H-D     |            | 轴承座    |                  |

FAG SNS3080-H-D + 23080K + H3080X1500 + 2 NFR600/22 + NTS80X1500 + NDK80图片





参考资料:<http://www.sozhou.com/p/353a2358.html>