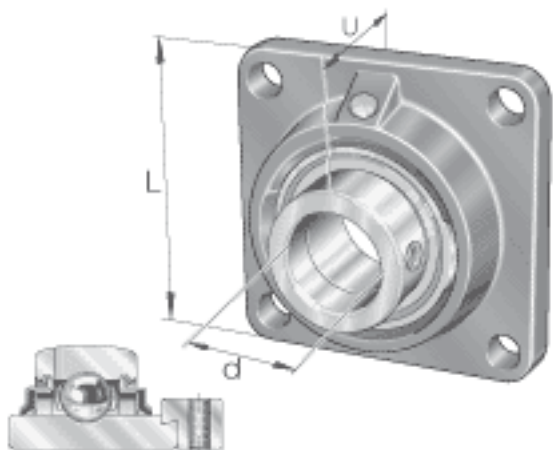
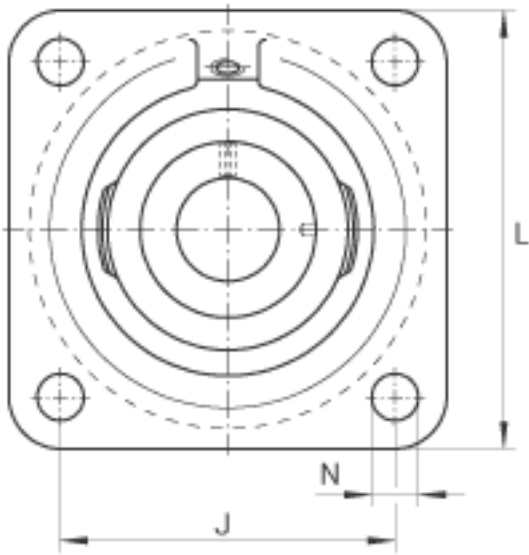
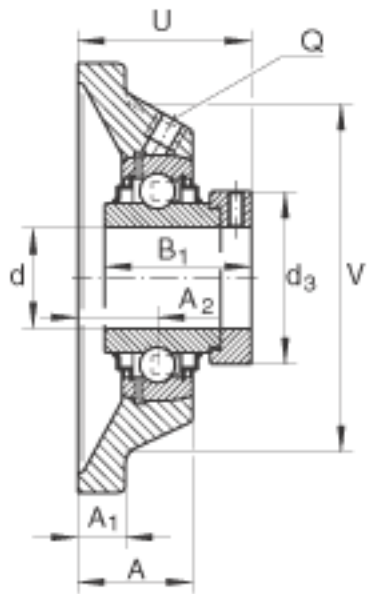


INA RCJ50-FA164参数

| | | | | |
|--------|--------------|------------------|------|------------------------|
| 基本额定载荷 | C_r | 35000 | N | 基本额定动载荷, 径向 |
| | C_{0r} | 23200 | N | 基本额定静载荷, 径向 |
| 说明 | | GG. CJ10-N | | 轴承座的型号 |
| | | GE50-KRR-B-FA164 | | 轴承的型号 |
| | | | | 带润滑喷嘴 DIN 71412-AR 1/8 |
| 尺寸 | d | 50 | mm | - |
| | L | 143 | mm | - |
| | U | 66.1 | mm | - |
| | A | 39 | mm | - |
| | A_1 | 13 | mm | - |
| | A_2 | 28 | mm | - |
| | B_1 | 62.8 | mm | - |
| | $d_{3 \max}$ | 69 | mm | - |
| | J | 111 | mm | - |
| | N | 18 | mm | - |
| | Q | Rp 1/8 | | - |
| | V | 125 | mm | - |
| | 重量 | m | 2530 | g |

INA RCJ50-FA164图片





参考资料:<http://www.sozhou.com/p/404fad60.html>