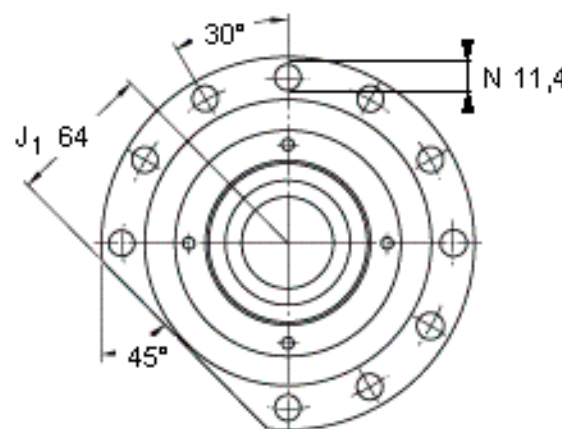
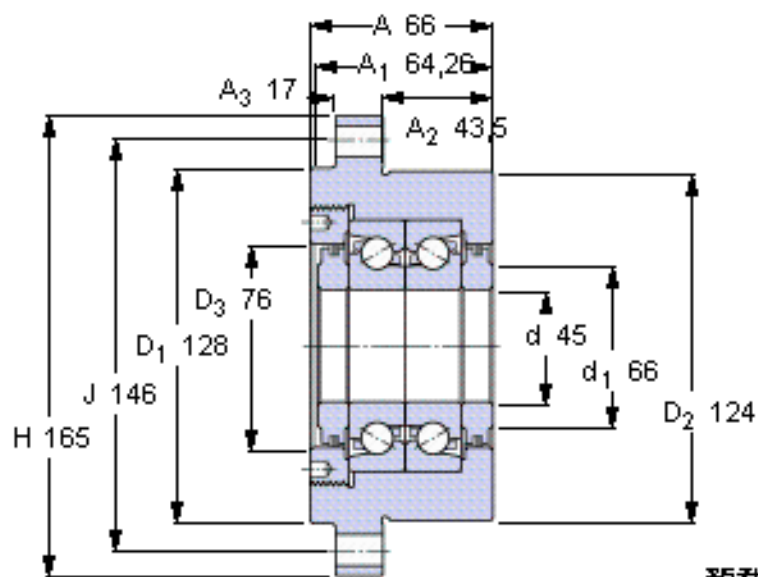


SKF FBSA 209/DB参数

| | | | | |
|--------|-------|-------------|-------|-----|
| 主要尺寸 | d | 45 | mm | - |
| | H | 165 | mm | - |
| | A | 66 | mm | - |
| 基本额定载荷 | C | 45000 | N | 动载荷 |
| | C_0 | 134000 | N | 静载荷 |
| 疲劳载荷极限 | P_u | 4900 | N | - |
| 可达转速 | 预载荷等级 | 5040 | r/min | - |
| | 预载荷等级 | 2520 | r/min | - |
| 重量 | 重量 | 5900 | g | - |
| 型号 | 型号 | FBSA 209/DB | - | - |

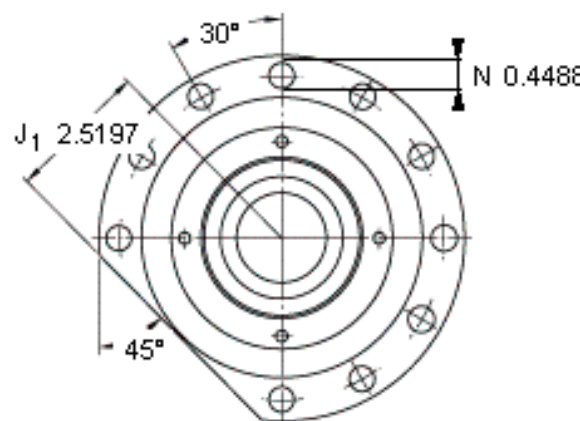
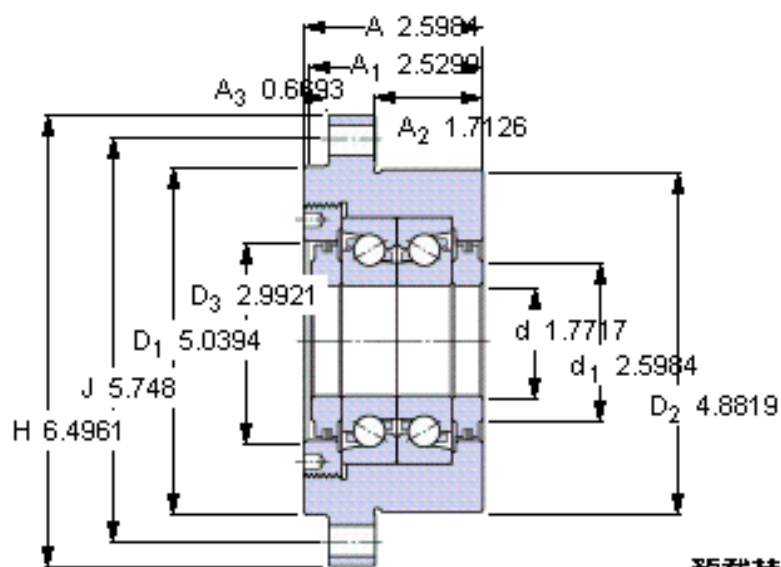
SKF FBSA 209/DB图片



| | 预载荷等级 | |
|--|-------|------|
| | A | B |
| Preload¹⁾ [N] | 3750 | 7500 |
| Frictional moment¹⁾ [Nm] (guideline value) | 0,23 | 0,52 |
| Static axial stiffness¹⁾ [N/μm] (guideline value) | 1290 | 1640 |

¹⁾ Values apply to unmounted cartridge unit

参考资料: <http://www.sozhou.com/p/49c82fc5.html>



预载荷等级

| | A | B |
|--|------|------|
| Preload¹⁾ [N] | 3750 | 7500 |
| Frictional moment¹⁾ [Nm] (guideline value) | 0,23 | 0,52 |
| Static axial stiffness¹⁾ [N/μm] (guideline value) | 1290 | 1640 |

Preload¹⁾ [N]

Frictional moment¹⁾ [Nm]

(guideline value)

Static axial stiffness¹⁾ [N/μm]

(guideline value)

¹⁾ Values apply to unmounted cartridge unit