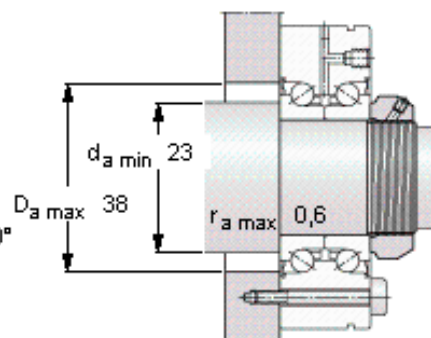
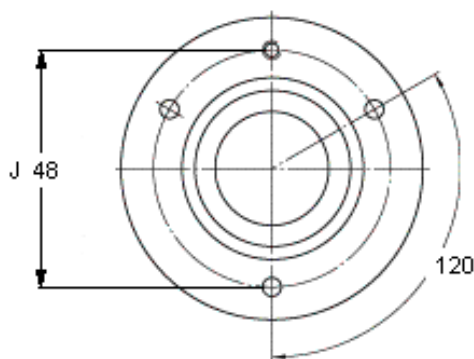
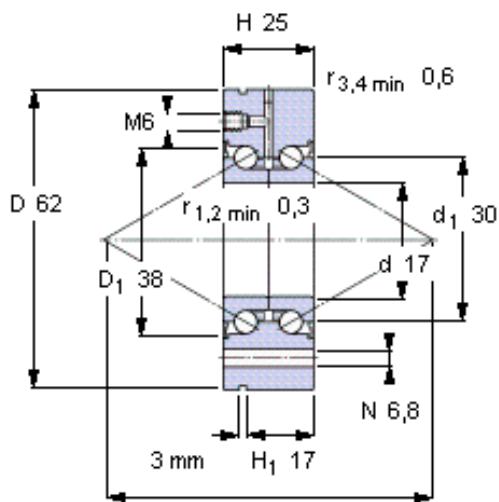


SKF BEAM 017062-2RS/PE参数

主要尺寸	d	17	mm	-
	D	62	mm	-
	H	25	mm	-
基本额定载荷	C	19000	N	动载荷
	$C_0$	31000	N	静载荷
疲劳载荷极限	$P_u$	1160	N	-
可达转速	Attainable speed	3800	r/min	-
重量	重量	450	g	-
型号	型号	BEAM 017062-2RS/PE	-	-

SKF BEAM 017062-2RS/PE图片



**Preload<sup>1)</sup> [N]**

720

**Frictional moment<sup>1)</sup> [Nm]**

(guideline value)

0,24

<sup>1)</sup> Values apply to unmounted bearings

**Static stiffness<sup>1)</sup>**

(guideline values)

Axial [N/μm]

420

Moment [Nm/mrad]

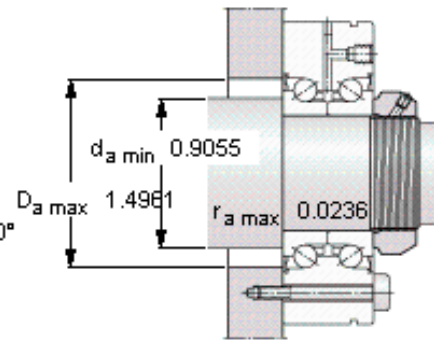
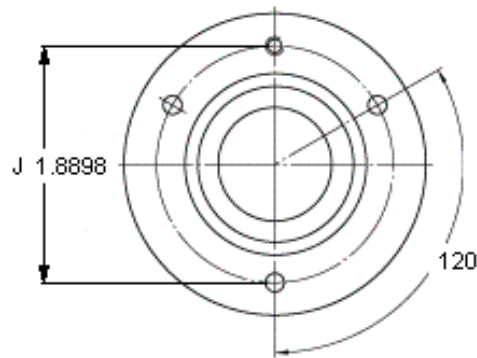
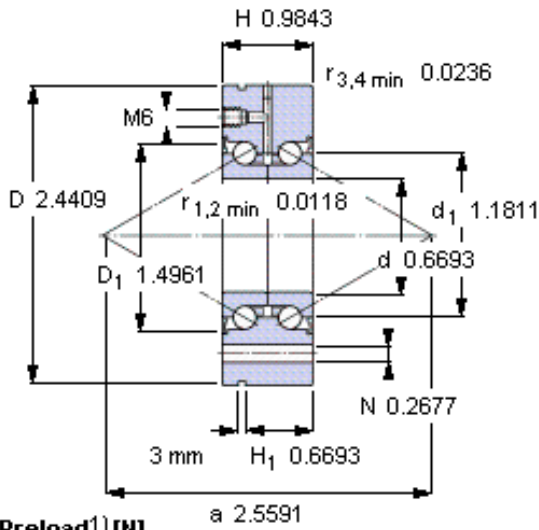
80

**Required attachment bolts**

(no. of bolts x pitch)

3 x 120°

参考资料: <http://www.sozhou.com/p/53e5a8c2.html>



**Preload<sup>1)</sup> [N]**

720

**Frictional moment<sup>1)</sup> [Nm]**

(guideline value)

0,24

<sup>1)</sup> Values apply to unmounted bearings

**Static stiffness<sup>1)</sup>**

(guideline values)

Axial [N/ $\mu\text{m}$ ] 420

Moment [Nm/mrad] 80

**Required attachment bolts**

(no. of bolts x pitch)

3 x  $120^\circ$