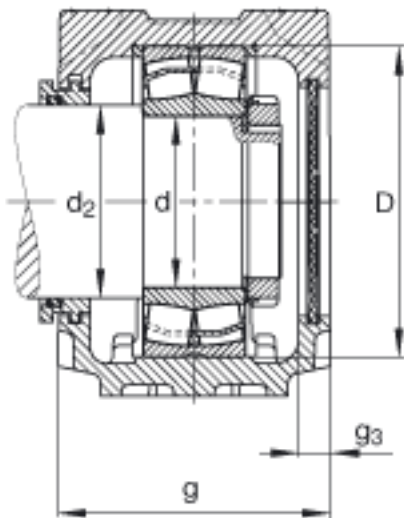
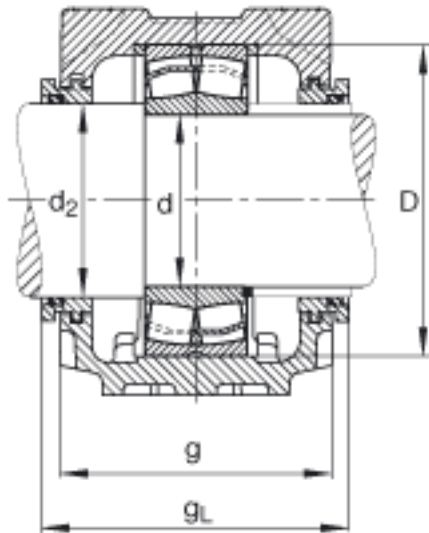


FAG SNV120-F-L + 21311 + TSV311参数

| | | | | |
|----|----------------|----------------|------|----------|
| 尺寸 | d | 55 | mm | - |
| | a | 275 | mm | - |
| | h ₁ | 155 | mm | - |
| | g | 115 | mm | - |
| | b | 80 | mm | - |
| | c | 30 | mm | - |
| | D | 120 | mm | - |
| | d ₂ | 65 | mm | - |
| | g ₃ | 12.5 | mm | - |
| | g _L | 129 | mm | - |
| | h | 80 | mm | - |
| | m | 230 | mm | - |
| | s | M16 | | - |
| | s | 15.875 | mm | - |
| | u | 18 | mm | - |
| | v | 23 | mm | - |
| | 重量 | m ₁ | 6100 | g |
| 说明 | | 21311 | | 型号, 轴承 |
| | | KM11 | | 型号, 锁紧螺母 |
| | | MB11 | | 型号, 爪式垫圈 |
| | | FRM120/11 | | 型号, 定位圈 |
| | | TSV311 | | 型号, 迷宫密封 |
| | | DKV120 | | 型号, 端盖 |
| | SNV120-F-L | | | 型号, 轴承座 |

FAG SNV120-F-L + 21311 + TSV311图片





参考资料:<http://www.sozhou.com/p/564bd556.html>