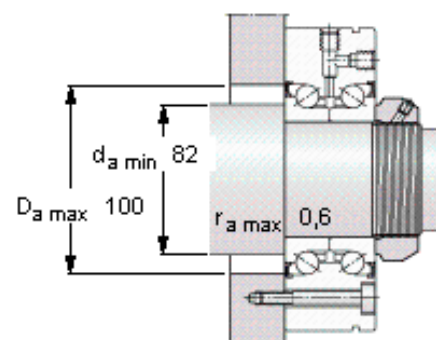
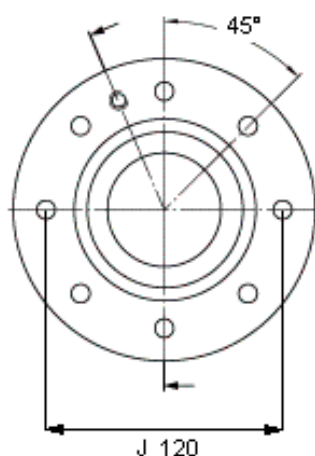
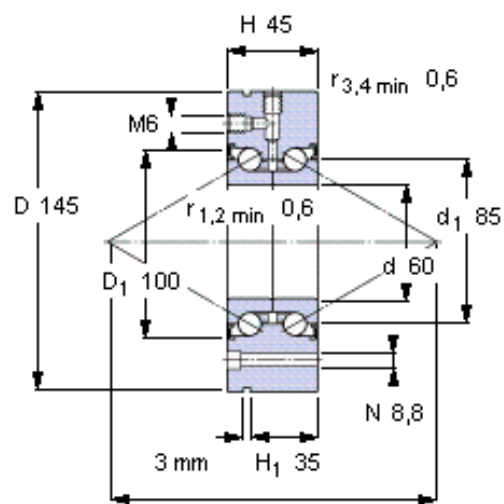


### SKF BEAM 060145-2RZ参数

主要尺寸	d	60	mm	-
	D	145	mm	-
	H	45	mm	-
基本额定载荷	C	85000	N	动载荷
	$C_0$	216000	N	静载荷
疲劳载荷极限	$P_u$	8000	N	-
可达转速	Attainable speed	2600	r/min	-
重量	重量	4300	g	-
型号	型号	BEAM 060145-2RZ	-	-

### SKF BEAM 060145-2RZ图片



**Preload<sup>1)</sup> [N]**

4700

**Frictional moment<sup>1)</sup> [Nm]**

(guideline value)

1

<sup>1)</sup> Values apply to unmounted bearings

**Static stiffness<sup>1)</sup>**

(guideline values)

Axial [N/μm]

1400

Moment [Nm/mrad]

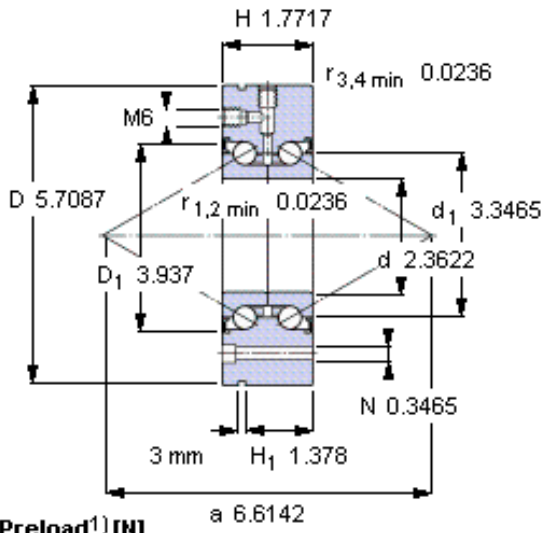
1750

**Required attachment bolts**

(no. of bolts x pitch)

8 x 45°

参考资料: <http://www.sozhou.com/p/5901480a.html>



**Preload<sup>1)</sup> [N]**

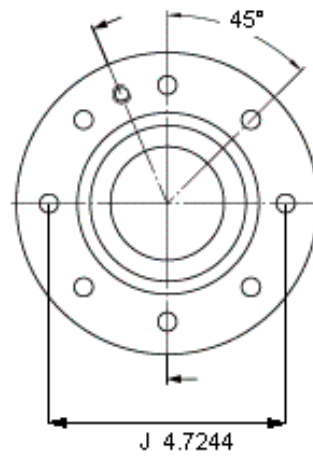
4700

**Frictional moment<sup>1)</sup> [Nm]**

(guideline value)

1

<sup>1)</sup> Values apply to unmounted bearings

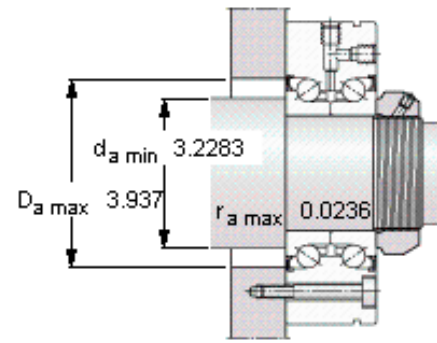


**Static stiffness<sup>1)</sup>**

(guideline values)

Axial [N/μm] 1400

Moment [Nm/mrad] 1750



**Required attachment bolts**

(no. of bolts x pitch)

8 x 45°