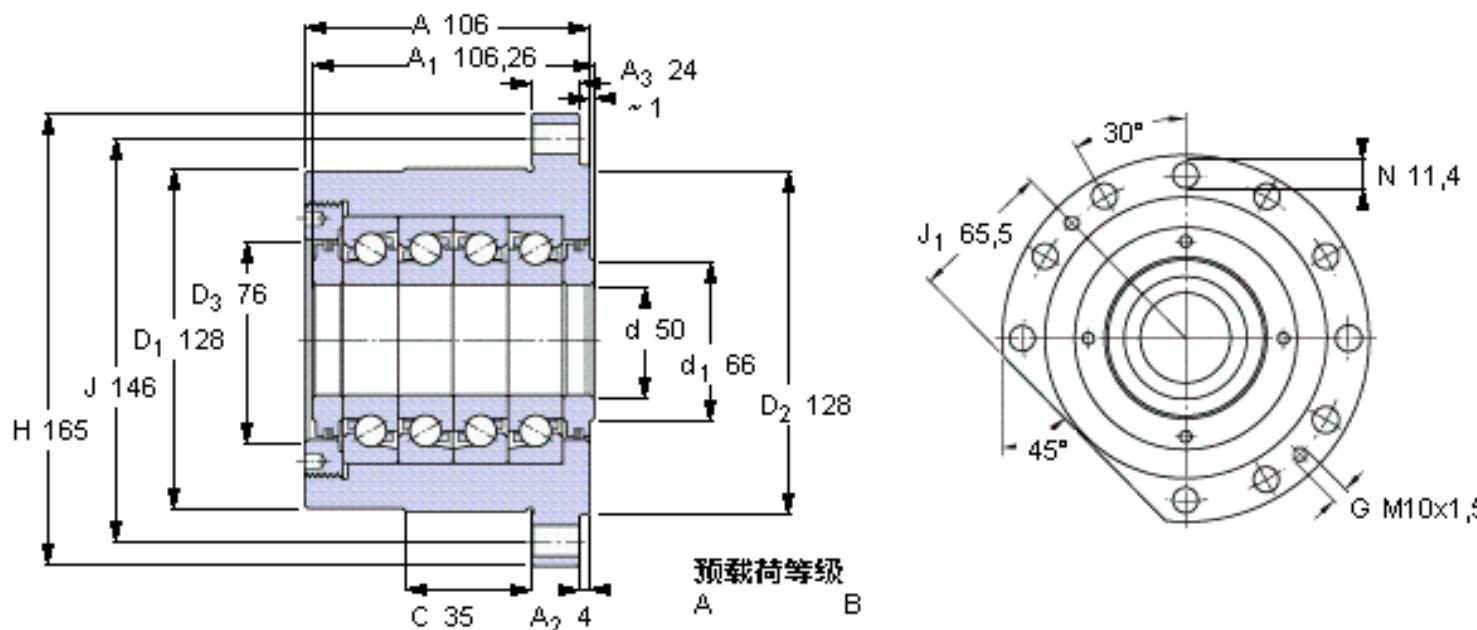


SKF FBSA 210 A/QFC参数

主要尺寸	d	50	mm	-
	H	165	mm	-
	A	106	mm	-
基本额定载荷	C	75800	N	动载荷
	C_0	292000	N	静载荷
疲劳载荷极限	P_u	10800	N	-
可达转速	预载荷等级	3000	r/min	-
	预载荷等级	1500	r/min	-
重量	重量	9300	g	-
型号	型号	FBSA 210 A/QFC	-	-

SKF FBSA 210 A/QFC图片



Preload¹⁾ [N]

Frictional moment¹⁾ [Nm]

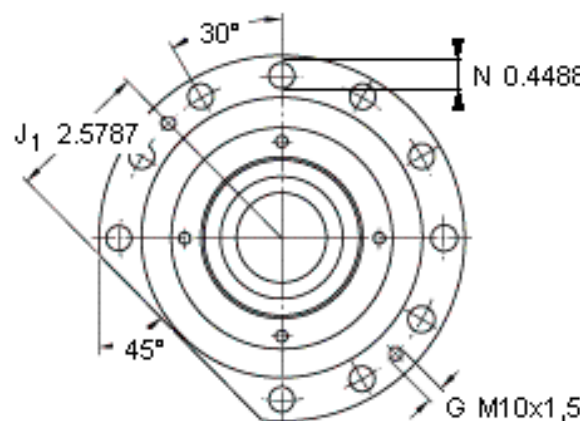
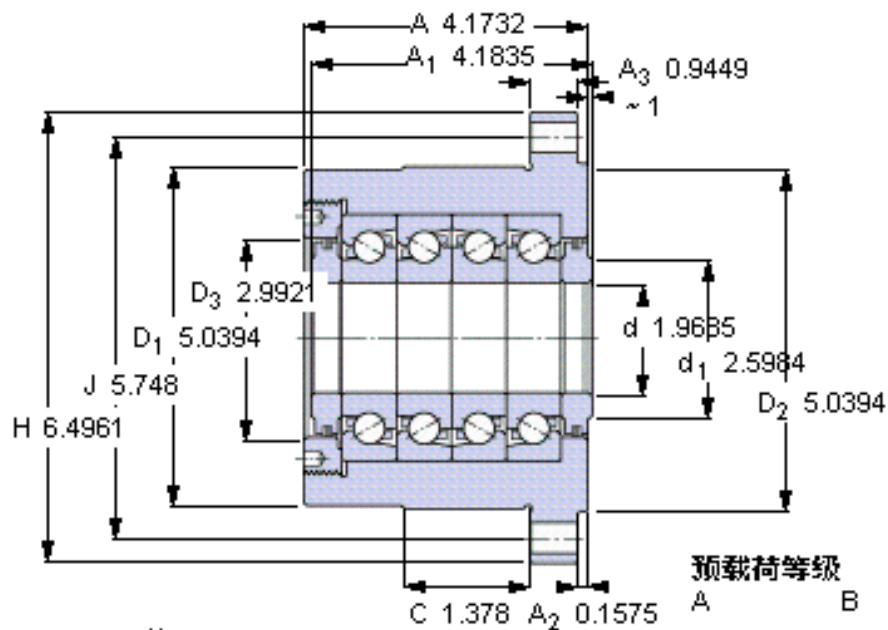
(guideline value)

Static axial stiffness¹⁾ [N/μm]

(guideline value)

¹⁾ Values apply to unmounted cartridge unit

参考资料: <http://www.sozhou.com/p/5d1a44b5.html>



预载荷等级

	A	B
Preload ¹⁾ [N]	8200	16400
Frictional moment ¹⁾ [Nm] (guideline value)	0,62	1,36
Static axial stiffness ¹⁾ [N/μm] (guideline value)	2820	3600

Preload¹⁾ [N]

Frictional moment¹⁾ [Nm]
(guideline value)

Static axial stiffness¹⁾ [N/μm]
(guideline value)

¹⁾ Values apply to unmounted cartridge unit