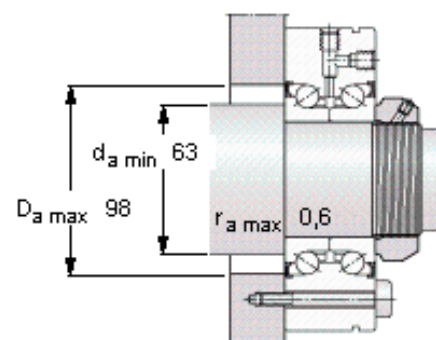
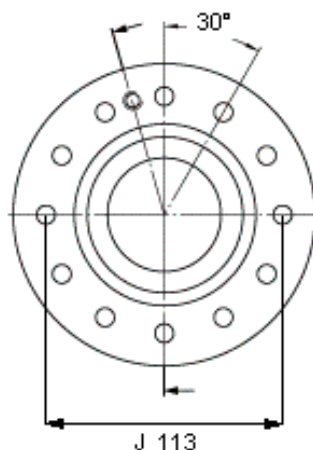
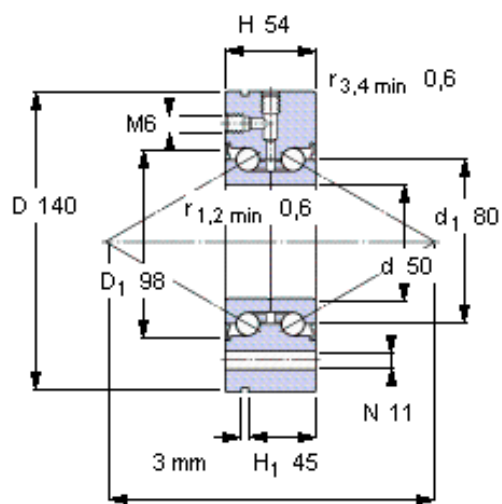


SKF BEAM 050140-2RS参数

主要尺寸	d	50	mm	-
	D	140	mm	-
	H	54	mm	-
基本额定载荷	C	114000	N	动载荷
	C_0	250000	N	静载荷
疲劳载荷极限	P_u	9300	N	-
可达转速	Attainable speed	1700	r/min	-
重量	重量	4700	g	-
型号	型号	BEAM 050140-2RS	-	-

SKF BEAM 050140-2RS图片



Preload¹⁾ [N]

5720

Frictional moment¹⁾ [Nm]

(guideline value)

2,6

¹⁾ Values apply to unmounted bearings

Static stiffness¹⁾

(guideline values)

Axial [N/μm]

1350

Moment [Nm/mrad]

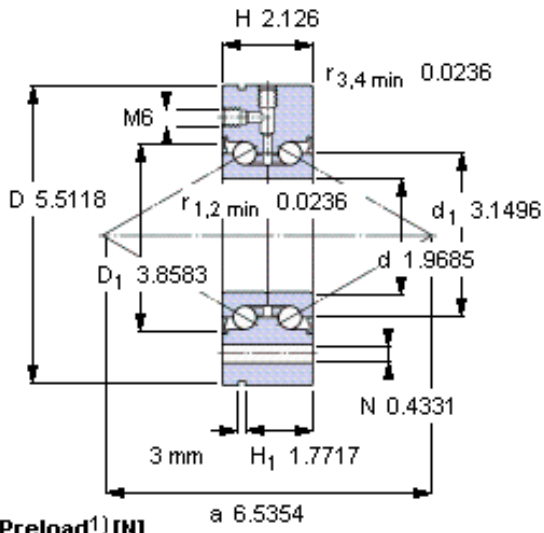
1500

Required attachment bolts

(no. of bolts x pitch)

12 x 30°

参考资料: <http://www.sozhou.com/p/5f6884ad.html>



Preload¹⁾ [N]

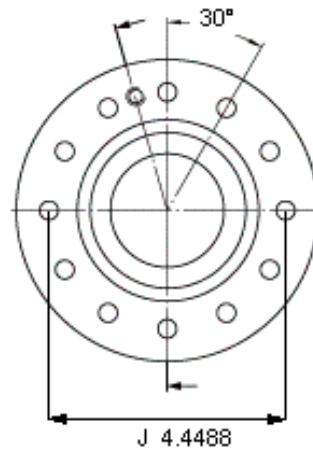
5720

Frictional moment¹⁾ [Nm]

(guideline value)

2,6

¹⁾ Values apply to unmounted bearings

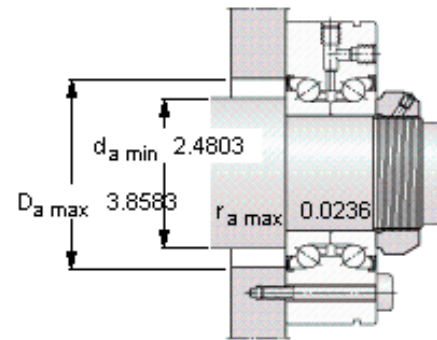


Static stiffness¹⁾

(guideline values)

Axial [N/ μ m] 1350

Moment [Nm/mrad] 1500



Required attachment bolts

(no. of bolts x pitch)

12 x 30°