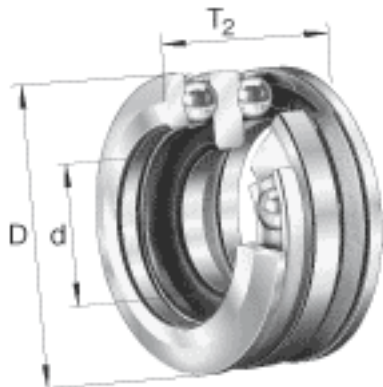
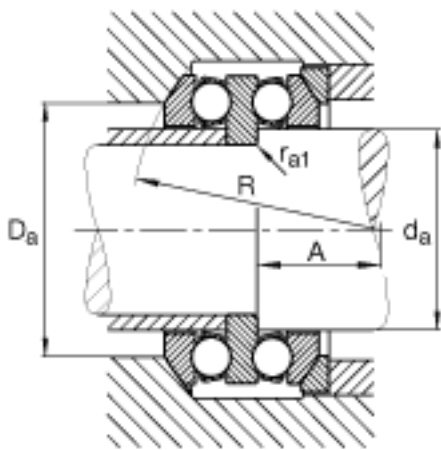
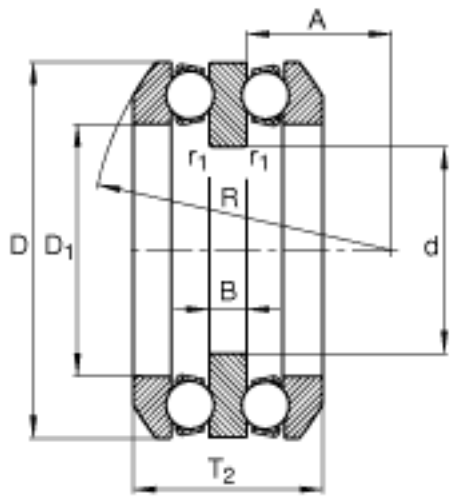


FAG 54314参数

| | | | | |
|--------|---------------------|--------|-------|-------------|
| 尺寸 | d | 55 | mm | - |
| | D | 125 | mm | - |
| | T ₂ | 80.4 | mm | - |
| | A | 39 | mm | - |
| | B | 16 | mm | - |
| | D ₁ | 72 | mm | - |
| | D _{a max} | 98 | mm | - |
| | d _{a max} | 70 | mm | - |
| | R | 100 | mm | - |
| | r _{1 min} | 1 | mm | - |
| | r _{a max} | 1 | mm | - |
| | r _{a1 max} | 1 | mm | - |
| | r _{min} | 1.1 | mm | - |
| | 重量 | m | 3770 | g |
| 基本额定载荷 | C _a | 134000 | N | 基本额定动载荷, 轴向 |
| | C _{0a} | 290000 | N | 基本额定静载荷, 轴向 |
| 尺寸 | A | 0.5 | | 最小载荷系数 |
| 极限转速 | n _G | 2750 | r/min | 极限转速 |
| 疲劳极限载荷 | C _{ua} | 12900 | N | 疲劳极限载荷, 轴向 |

FAG 54314图片





参考资料:<http://www.sozhou.com/p/5f89633a.html>