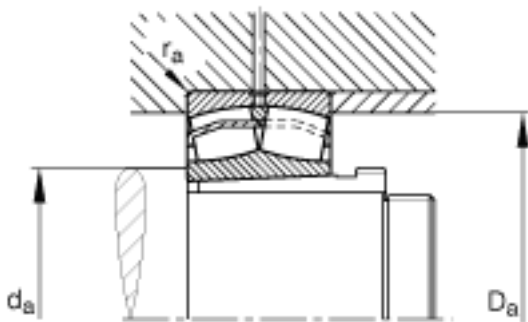
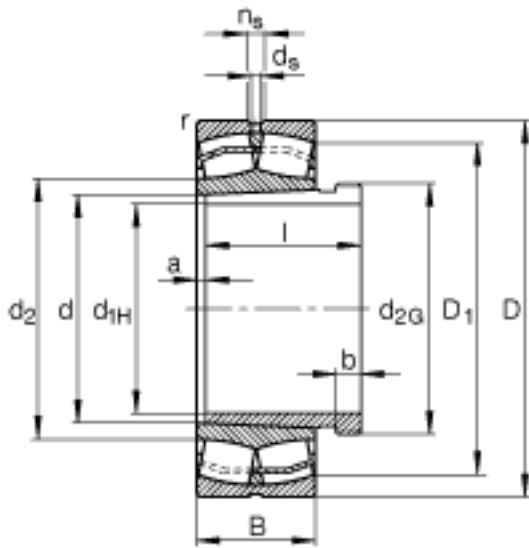
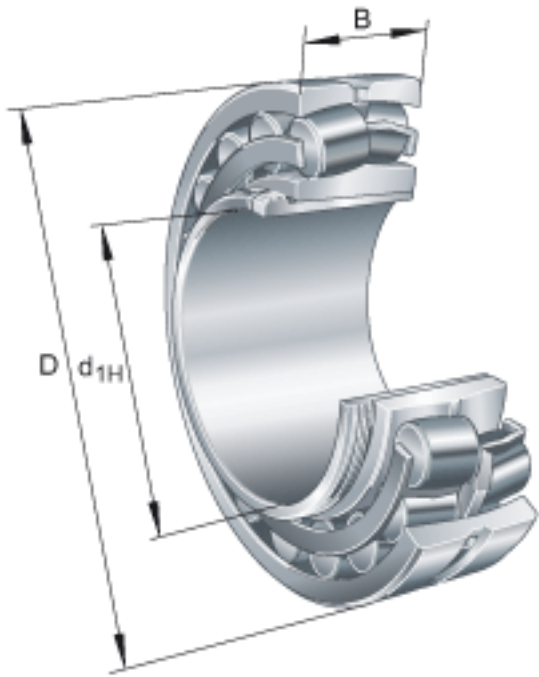


FAG 23220-E1-K-TVPB + AHX3220参数

| | | | | |
|--------|--------------|---------|-------|------------|
| 尺寸 | d_{1H} | 95 | mm | - |
| | D | 180 | mm | - |
| | B | 60.3 | mm | - |
| | a | 4 | mm | - |
| | b | 11 | mm | - |
| | D_1 | 156.7 | mm | - |
| | $D_{a \max}$ | 168 | mm | - |
| | d | 100 | mm | - |
| | d_2 | 116.7 | mm | - |
| | d_{2G} | M110x2 | | - |
| | $d_{a \min}$ | 112 | mm | - |
| | d_s | 4.8 | mm | - |
| | l | 73 | mm | - |
| | n_s | 9.5 | mm | - |
| 基本额定载荷 | C_r | 560000 | N | 基本额定动载荷，径向 |
| 计算系数 | e | 0.31 | | - |
| | Y_1 | 2.15 | | - |
| | Y_2 | 3.2 | | - |
| 基本额定载荷 | C_{0r} | 660000 | N | 基本额定静载荷，径向 |
| 计算系数 | Y_0 | 2.1 | | - |
| 极限转速 | n_G | 3750 | r/min | 极限转速 |
| 参考转速 | n_B | 2460 | r/min | 参考速度 |
| 疲劳极限载荷 | C_{ur} | 60000 | N | 疲劳极限载荷，径向 |
| 尺寸 | $r_{a \max}$ | 2.1 | mm | - |
| | r_{\min} | 2.1 | mm | - |
| 说明 | | AHX3220 | | 型号，退卸套 |
| 重量 | m | 6130 | g | 质量 |
| | m_1 | 780 | g | 质量，退卸套 |

FAG 23220-E1-K-TVPB + AHX3220图片



参考资料:<http://www.sozhou.com/p/6987a2c7.html>