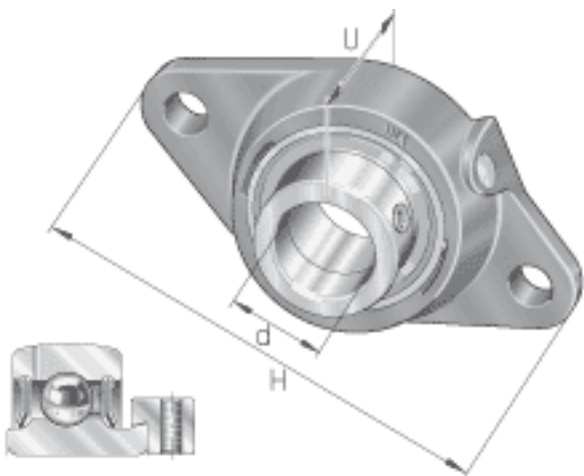
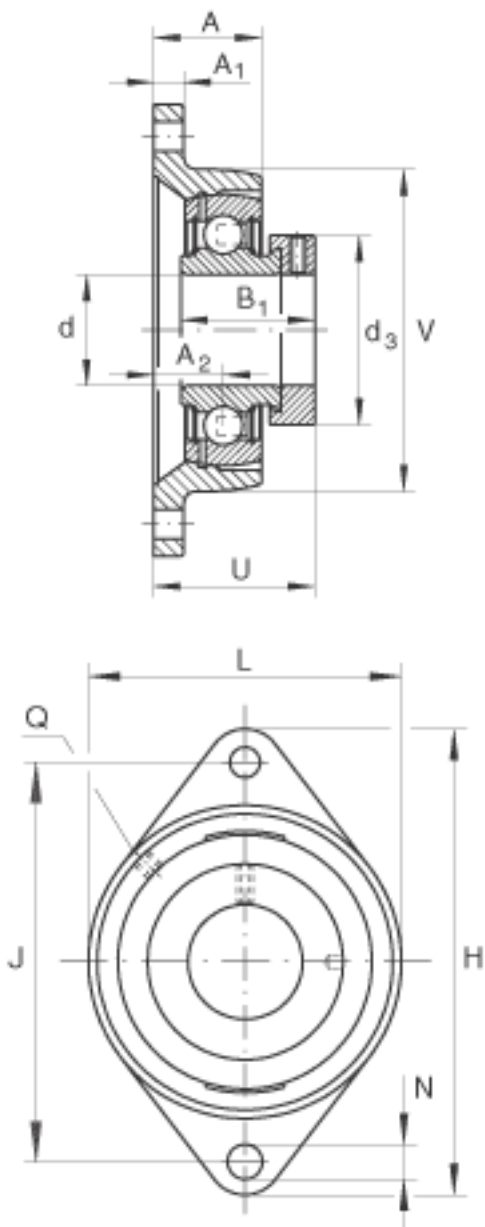


INA PCFT15参数

| | | | | |
|--------|--------------------|--------------|-----|------------|
| 尺寸 | J | 76.5 | mm | - |
| | A | 18 | mm | - |
| | A ₁ | 9.5 | mm | - |
| | A ₂ | 10 | mm | - |
| | B ₁ | 28.6 | mm | - |
| | d _{3 max} | 28 | mm | - |
| | d | 15 | mm | - |
| | H | 99 | mm | - |
| | U | 32.1 | mm | - |
| | L | 57 | mm | - |
| | N | 11.5 | mm | - |
| | Q | M6 | | - |
| | V | 57 | mm | - |
| | 重量 | m | 390 | g |
| 基本额定载荷 | C _r | 9600 | N | 基本额定动载荷，径向 |
| | C _{0r} | 4750 | N | 基本额定静载荷，径向 |
| 说明 | | GG. CFT03 | | 轴承座的型号 |
| | | GRAE15-NPP-B | | 轴承的型号 |

INA PCFT15图片





参考资料:<http://www.sozhou.com/p/6df3703b.html>