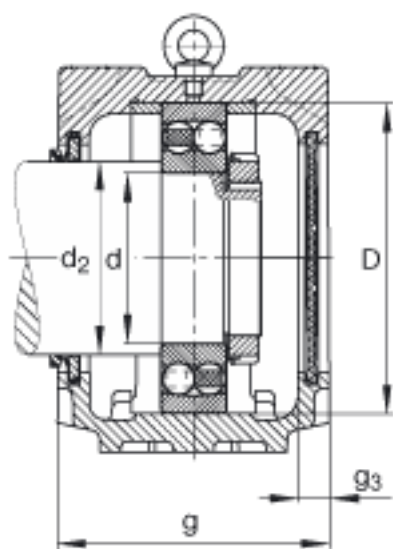
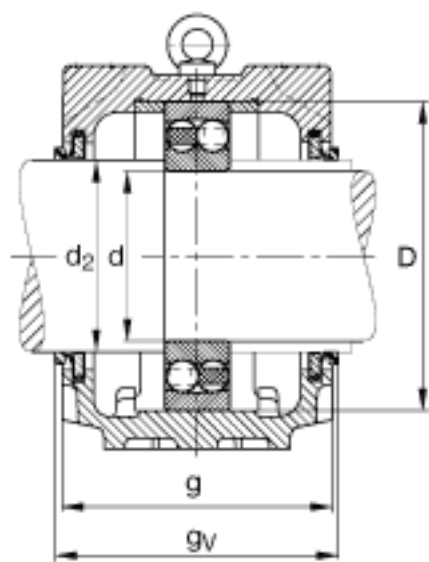
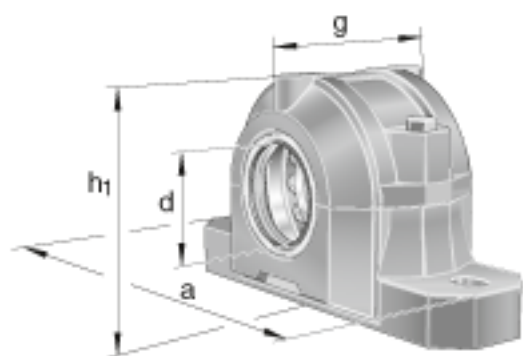


FAG SNV215-F-L + 1320 + DHV320参数

| | | | | |
|-------|-------|-------------|-------|----------|
| 尺寸 | g_v | 190.5 | mm | - |
| | h | 140 | mm | - |
| | m | 350 | mm | - |
| | s | M24 | | - |
| | s | 22.225 | mm | - |
| | u | 26 | mm | - |
| | v | 32 | mm | - |
| | 重量 | m_1 | 24500 | g |
| 说明 | | 1320 | | 型号, 轴承 |
| | | KM20 | | 型号, 锁紧螺母 |
| | | MB20 | | 型号, 爪式垫圈 |
| | | FRM215/19.5 | | 型号, 定位圈 |
| | | DHV320 | | 型号, V型密封 |
| | | DKV215 | | 型号, 端盖 |
| | | SNV215-F-L | | 型号, 轴承座 |
| 尺寸 | d | 100 | mm | - |
| | a | 410 | mm | - |
| | h_1 | 271 | mm | - |
| | g | 180 | mm | - |
| | b | 120 | mm | - |
| | c | 45 | mm | - |
| | D | 215 | mm | - |
| | d_2 | 115 | mm | - |
| g_3 | 16 | mm | - | |

FAG SNV215-F-L + 1320 + DHV320图片





参考资料:<http://www.sozhou.com/p/6f96933e.html>