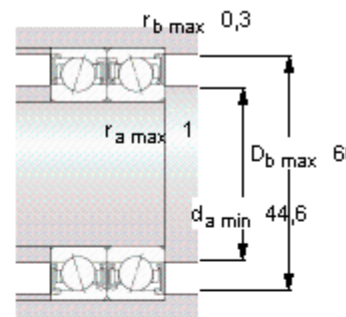
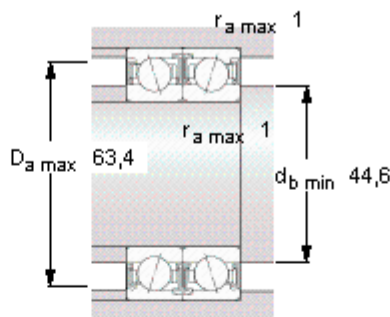
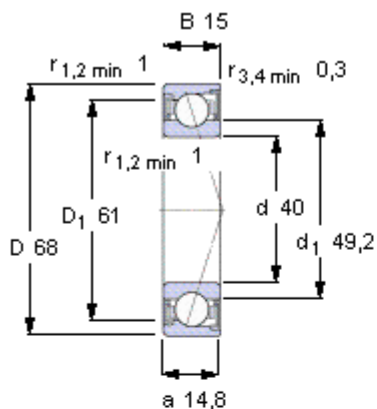


SKF S7008 CD/HCP4A参数

主要尺寸	d	40	mm	-
	D	68	mm	-
	B	15	mm	-
基本额定载荷	C	16800	N	动载荷
	C_0	11000	N	静载荷
疲劳载荷极限	P_u	465	N	-
可达转速	Grease	24000	r/min	-
	Oil-air	-	r/min	-
重量	重量	170	g	-
型号	型号	S7008 CD/HCP4A	-	-

SKF S7008 CD/HCP4A图片



Ball diameter 7,938

Number of balls 18

未安装时的预载荷 [N]

背对背配置，面对面配置

预载荷等级

A	B	C	D
60	120	240	480

Static axial stiffness [N/ μm]

(guideline value)

预载荷等级

A	B	C	D
42	56	76	107

Reference grease quantity [cm³]

G_{ref} -

计算系数

for equivalent bearing load

f_0 10

for preload in mounted bearing sets

f 1,06

f_1 1

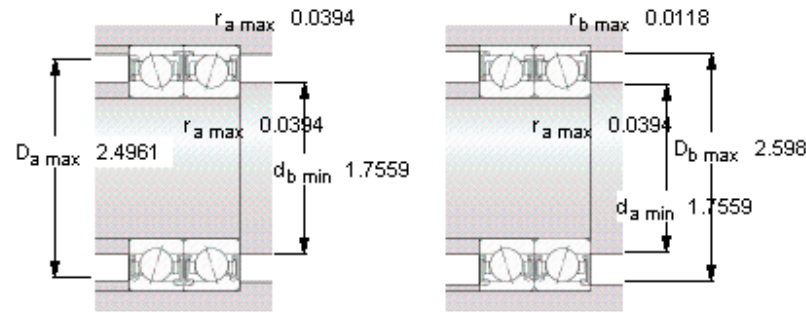
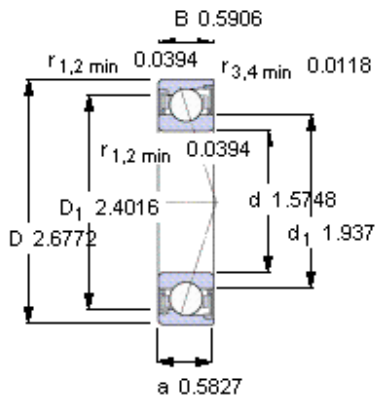
f_{2A} 1

f_{2B} 1,02

f_{2C} 1,05

f_{2D} 1,09

f_{HC} 1,02



Ball diameter 7,938

Number of balls 18

未安装时的预载荷 [N]

背对背配置，面对面配置

预载荷等级

A	B	C	D
60	120	240	480

Static axial stiffness [N/μm]

(guideline value)

预载荷等级

A	B	C	D
42	56	76	107

Reference grease quantity [cm³]

G_{ref} -

计算系数

for equivalent bearing load

f₀ 10

for preload in mounted bearing sets

f 1,06

f₁ 1

f_{2A} 1

f_{2B} 1,02

f_{2C} 1,05

f_{2D} 1,09

f_{HC} 1,02