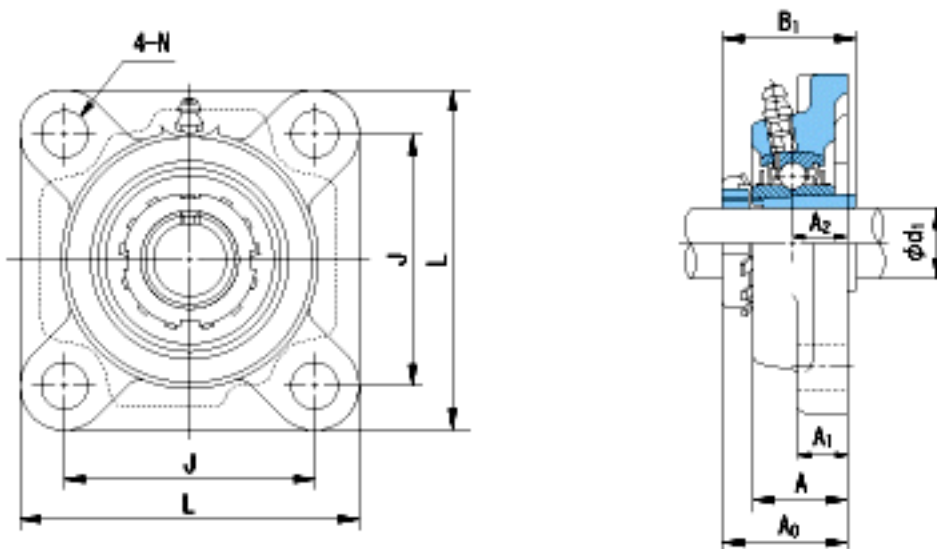


NACHI UKF317+H2317参数

| | | | | | |
|------|--------|-------|--------|-----|-----|
| 外形尺寸 | L | 260 | mm | - | |
| | J | 204 | mm | - | |
| | N | 31 | mm | - | |
| 安装尺寸 | d1 | 75 | mm | - | |
| | A1 | 27 | mm | - | |
| | A2 | 44 | mm | - | |
| | B1 | 82 | mm | - | |
| | A | 74 | mm | - | |
| | A0 | 92 | mm | - | |
| | 重量 | Mass | 15100 | g | 重量 |
| | 基本额定载荷 | Cr | 132000 | N | 动载荷 |
| Cor | | 96500 | N | 静载荷 | |
| 极限速度 | Grease | - | r/min | 脂润滑 | |
| | Oil | - | r/min | 油润滑 | |

NACHI UKF317+H2317图片



参考资料:<http://www.sozhou.com/p/7ccc56fa.html>