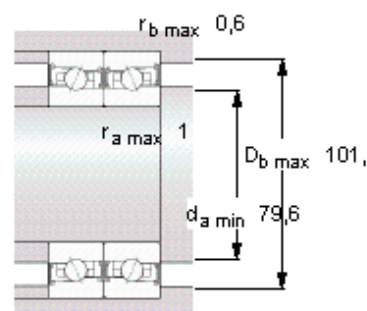
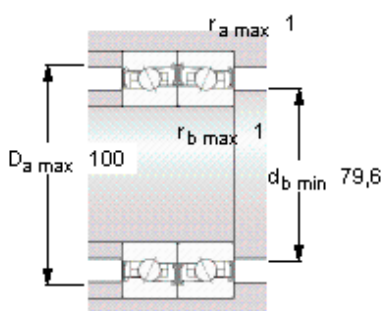
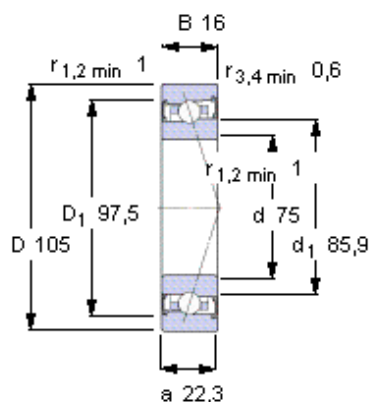


SKF S71915 CB/HCP4A参数

主要尺寸	d	75	mm	-
	D	105	mm	-
	B	16	mm	-
基本额定载荷	C	14000	N	动载荷
	C_0	13200	N	静载荷
疲劳载荷极限	P_u	560	N	-
可达转速	Grease	20000	r/min	-
	Oil-air	-	r/min	-
重量	重量	360	g	-
型号	型号	S71915 CB/HCP4A	-	-

SKF S71915 CB/HCP4A图片



Ball diameter 6,35
Number of balls 34

未安装时的预载荷 [N]
背对背配置，面对面配置
预载荷等级

A	B	C	D
46	92	275	-

Static axial stiffness [N/μm]
(guideline value)

预载荷等级

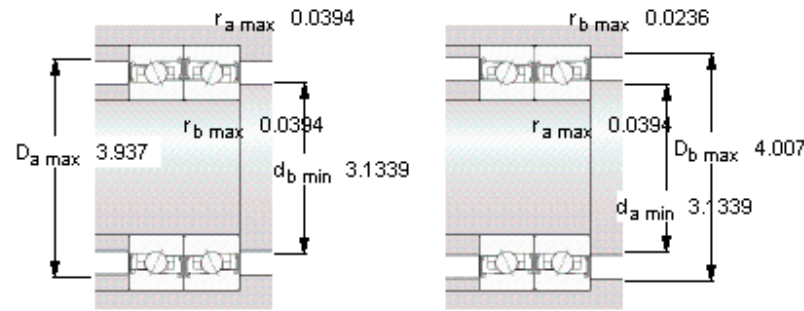
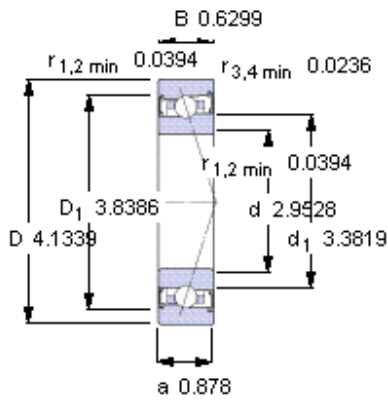
A	B	C	D
51	67	107	-

Reference grease quantity [cm³]
 G_{ref} -

计算系数
for equivalent bearing load
 f_0 9,9

for preload in mounted bearing sets
f 1,11
f₁ 1
f_{2A} 1
f_{2B} 1,03
f_{2C} 1,08
f_{2D} -
f_{HC} 1,01

参考资料: <http://www.sozhou.com/p/7f7a1c0f.html>



Ball diameter 6,35

Number of balls 34

未安装时的预载荷 [N]

背对背配置，面对面配置

预载荷等级

A	B	C	D
46	92	275	-

Static axial stiffness [N/μm]

(guideline value)

预载荷等级

A	B	C	D
51	67	107	-

Reference grease quantity [cm³]

G_{ref} -

计算系数

for equivalent bearing load

f₀ 9,9

for preload in mounted bearing sets

f 1,11

f₁ 1

f_{2A} 1

f_{2B} 1,03

f_{2C} 1,08

f_{2D} -

f_{HC} 1,01