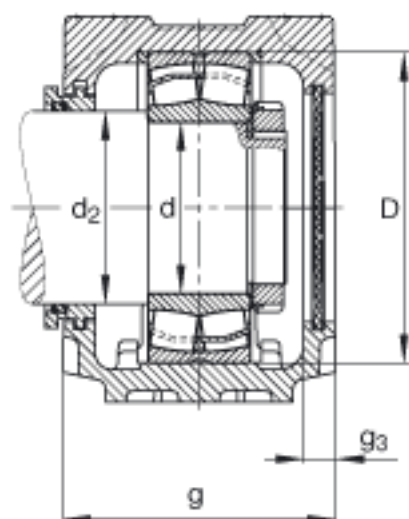
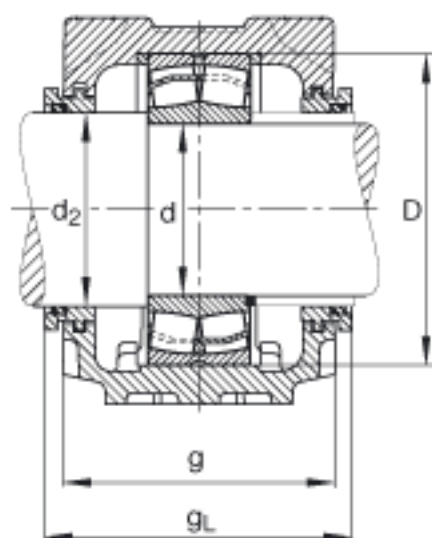


FAG SNV180-F-L + 23220 + TSV220参数

| | | | | |
|----|-------|-------------|----|----------|
| 说明 | | TSV220 | | 型号, 迷宫密封 |
| | | DKV180 | | 型号, 端盖 |
| | | SNV180-F-L | | 型号, 轴承座 |
| 尺寸 | d | 100 | mm | - |
| | a | 380 | mm | - |
| | h_1 | 223 | mm | - |
| | g | 160 | mm | - |
| | b | 110 | mm | - |
| | c | 40 | mm | - |
| | D | 180 | mm | - |
| | d_2 | 115 | mm | - |
| | g_3 | 16 | mm | - |
| | g_L | 177.3 | mm | - |
| | h | 112 | mm | - |
| | m | 320 | mm | - |
| | s | M24 | | - |
| | s | 22.225 | mm | - |
| | u | 26 | mm | - |
| | v | 32 | mm | - |
| 重量 | m_1 | 17000 | g | 质量, 轴承座 |
| 说明 | | 23220 | | 型号, 轴承 |
| | | KM20 | | 型号, 锁紧螺母 |
| | | MB20 | | 型号, 爪式垫圈 |
| | | FRM180/4.85 | | 型号, 定位圈 |

FAG SNV180-F-L + 23220 + TSV220图片





参考资料:<http://www.sozhou.com/p/80228d63.html>