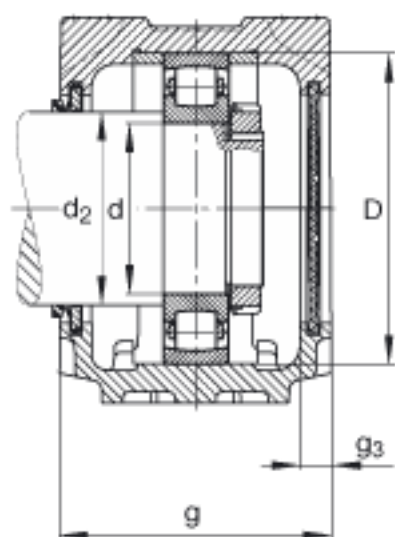
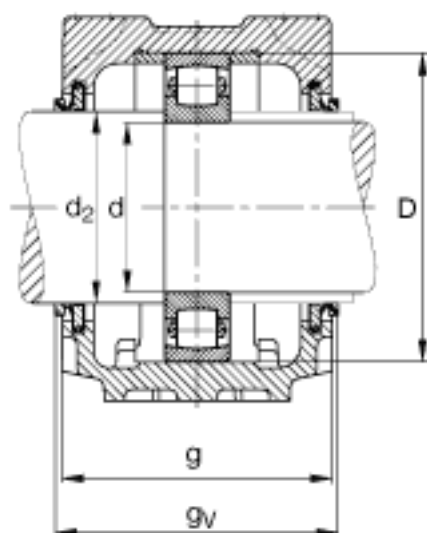


FAG SNV180-F-L + 20317 + DHV317参数

|    |                |                |       |           |
|----|----------------|----------------|-------|-----------|
| 尺寸 | d              | 85             | mm    | -         |
|    | a              | 380            | mm    | -         |
|    | h <sub>1</sub> | 223            | mm    | -         |
|    | g              | 160            | mm    | -         |
|    | b              | 110            | mm    | -         |
|    | c              | 40             | mm    | -         |
|    | D              | 180            | mm    | -         |
|    | d <sub>2</sub> | 95             | mm    | -         |
|    | g <sub>3</sub> | 16             | mm    | -         |
|    | g <sub>v</sub> | 167.5          | mm    | -         |
|    | h              | 112            | mm    | -         |
|    | m              | 320            | mm    | -         |
|    | s              | M24            |       | -         |
|    | s              | 22.225         | mm    | -         |
|    | u              | 26             | mm    | -         |
|    | v              | 32             | mm    | -         |
|    | 重量             | m <sub>1</sub> | 17000 | g         |
| 说明 |                | 20317          |       | 型号, 轴承    |
|    |                | KM17           |       | 型号, 锁紧螺母  |
|    |                | MB17           |       | 型号, 爪式垫圈  |
|    |                | FRM180/14.5    |       | 型号, 定位圈   |
|    |                | DHV317         |       | 型号, V 型密封 |
|    |                | DKV180         |       | 型号, 端盖    |
|    |                | SNV180-F-L     |       | 型号, 轴承座   |

FAG SNV180-F-L + 20317 + DHV317图片





参考资料:<http://www.sozhou.com/p/87322e0e.html>