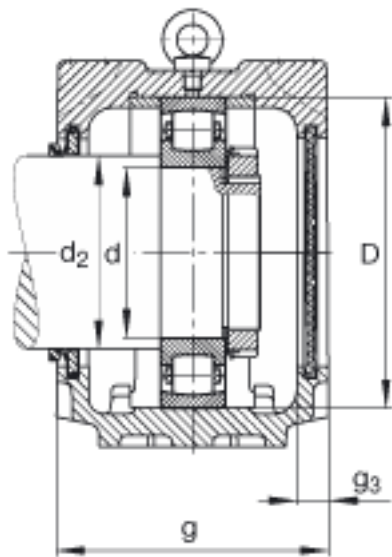
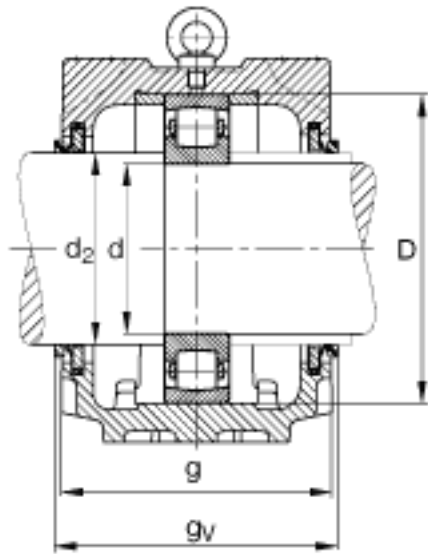
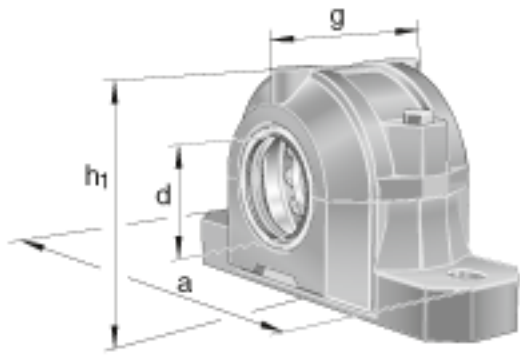
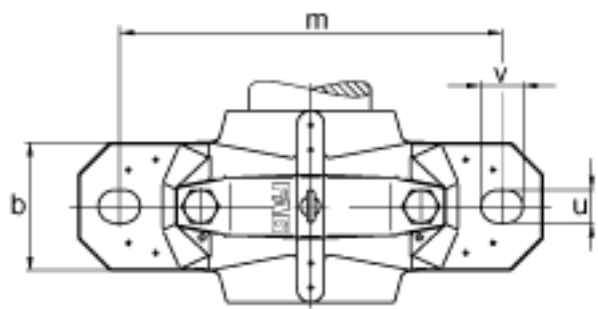
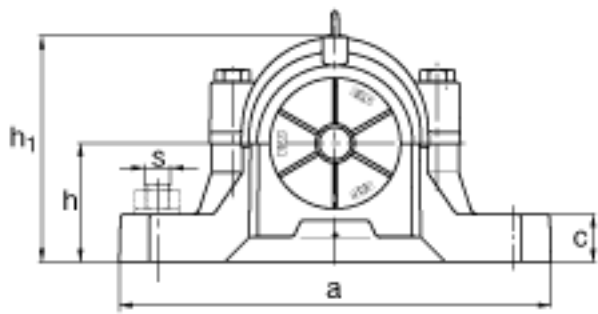


FAG SNV230-F-L + 20226 + DHV226参数

| | | | | |
|----------------|----|----------------|-------|-----------|
| 说明 | | 20226 | | 型号, 轴承 |
| | | KM26 | | 型号, 锁紧螺母 |
| | | MB26 | | 型号, 爪式垫圈 |
| | | FRM230/25 | | 型号, 定位圈 |
| | | DHV226 | | 型号, V 型密封 |
| | | DKV230 | | 型号, 端盖 |
| | | SNV230-F-L | | 型号, 轴承座 |
| | 尺寸 | g | 190 | mm |
| b | | 130 | mm | - |
| c | | 50 | mm | - |
| D | | 230 | mm | - |
| d ₂ | | 145 | mm | - |
| d | | 130 | mm | - |
| a | | 445 | mm | - |
| h ₁ | | 291 | mm | - |
| g ₃ | | 18 | mm | - |
| g _v | | 198.5 | mm | - |
| h | | 150 | mm | - |
| m | | 380 | mm | - |
| s | | M24 | | - |
| s | | 25.4 | mm | - |
| u | | 28 | mm | - |
| v | | 35 | mm | - |
| 重量 | | m ₁ | 30000 | g |

FAG SNV230-F-L + 20226 + DHV226图片





参考资料:<http://www.sozhou.com/p/89edc3f6.html>