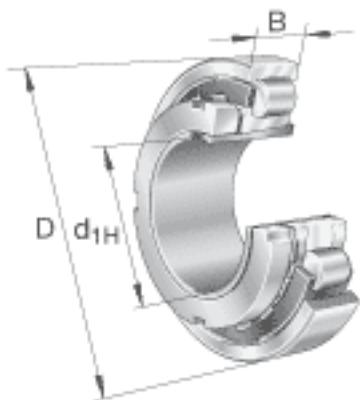
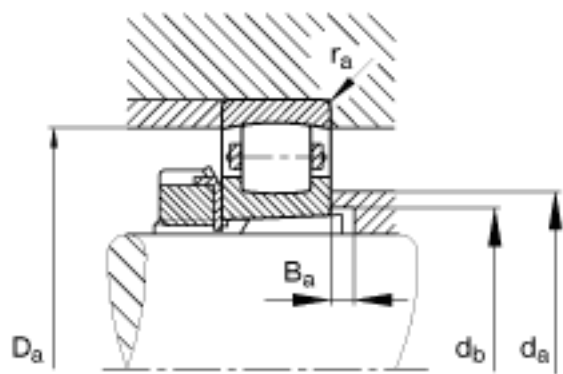
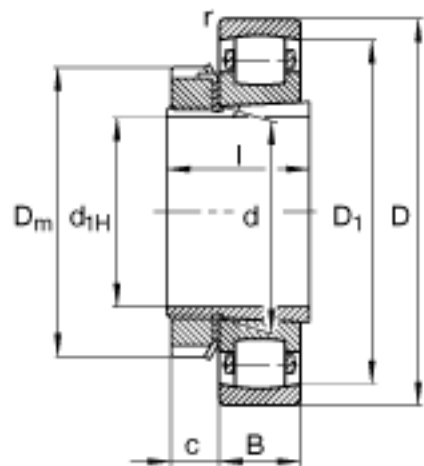


FAG 20222-K-MB-C3 + H222参数

| | | | | |
|--------|--------------|--------|-------|-------------|
| 极限转速 | n_G | 3600 | r/min | 极限转速 |
| 基本额定载荷 | C_{ur} | 34500 | N | 疲劳极限载荷, 径向 |
| 尺寸 | d_{1H} | 100 | mm | - |
| | D | 200 | mm | - |
| | B | 38 | mm | - |
| | $B_{a\ min}$ | 7 | mm | - |
| | c | 21 | mm | - |
| | D_1 | 178.6 | mm | - |
| | $D_{a\ max}$ | 188 | mm | - |
| | D_m | 145 | mm | - |
| | d | 110 | mm | - |
| | $d_{a\ max}$ | 132 | mm | - |
| | $d_{b\ min}$ | 116 | mm | - |
| | l | 63 | mm | - |
| | $r_{a\ max}$ | 2.1 | mm | - |
| | r_{min} | 2.1 | mm | - |
| 说明 | | H222 | | 质量, 紧定套 |
| 重量 | m | 5450 | g | 质量 |
| | m_1 | 1950 | g | 质量, 紧定套 |
| 基本额定载荷 | C_r | 285000 | N | 基本额定动载荷, 径向 |
| | C_{0r} | 375000 | N | 基本额定静载荷, 径向 |

FAG 20222-K-MB-C3 + H222图片





参考资料:<http://www.sozhou.com/p/8c96e190.html>