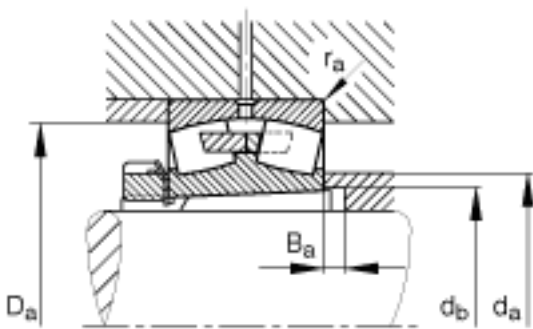
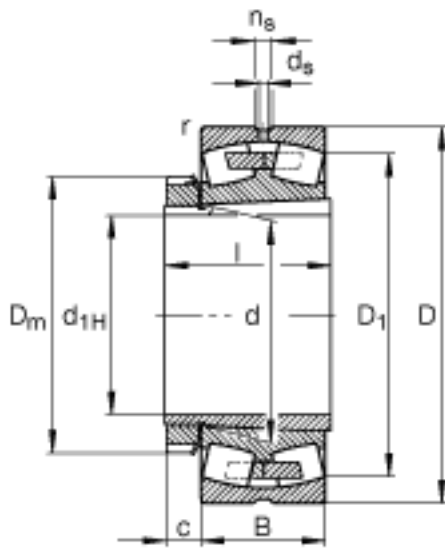
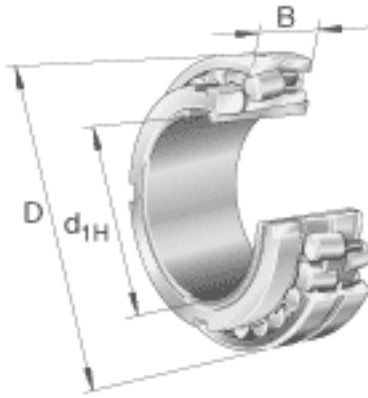


FAG 22348-K-MB + H2348X参数

| | | | | |
|--------|--------------|---------|-------|-------------|
| 尺寸 | d_{1H} | 220 | mm | - |
| | D | 500 | mm | - |
| | B | 155 | mm | - |
| | $B_{a \min}$ | 11 | mm | - |
| | c | 37 | mm | - |
| | D_1 | 420 | mm | - |
| | $D_{a \max}$ | 480 | mm | - |
| | D_m | 300 | mm | - |
| | d | 240 | mm | - |
| | $d_{a \max}$ | 296 | mm | - |
| | $d_{b \min}$ | 257 | mm | - |
| 重量 | m | 145000 | g | 质量 |
| | m_1 | 20900 | g | 质量, 紧定套 |
| 基本额定载荷 | C_r | 2650000 | N | 基本额定动载荷, 径向 |
| 计算系数 | e | 0.35 | | - |
| | Y_1 | 1.95 | | - |
| | Y_2 | 2.9 | | - |
| 基本额定载荷 | C_{0r} | 3900000 | N | 基本额定静载荷, 径向 |
| 计算系数 | Y_0 | 1.91 | | - |
| 极限转速 | n_G | 1560 | r/min | 极限转速 |
| 参考转速 | n_B | 870 | r/min | 参考速度 |
| 疲劳极限载荷 | C_{ur} | 249000 | N | 疲劳极限载荷, 径向 |
| 说明 | | H2348X | | 质量, 紧定套 |
| 尺寸 | d_s | 12.5 | mm | - |
| | l | 199 | mm | - |
| | n_s | 23.5 | mm | - |
| | $r_{a \max}$ | 4 | mm | - |

FAG 22348-K-MB + H2348X图片



参考资料:<http://www.sozhou.com/p/8d51cc99.html>