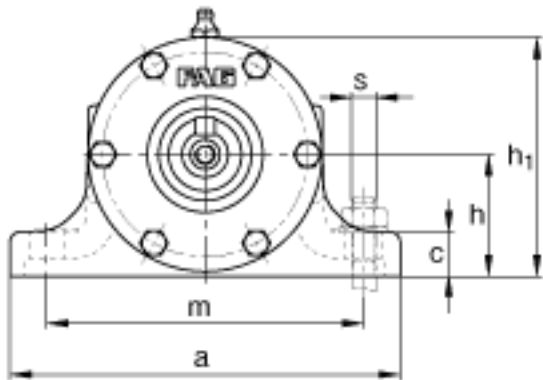
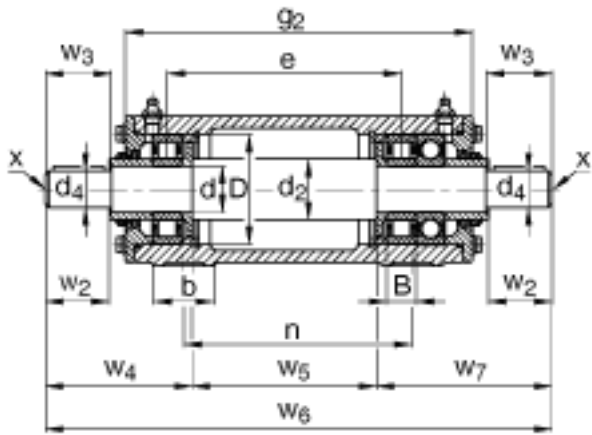


FAG VRE320-E参数

| | | | | |
|----------------|----------------|---------------------|----|------------|
| 尺寸 | d | 100 | mm | - |
| | a | 400 | mm | - |
| | h ₁ | 260 | mm | - |
| | g ₂ | 665 | mm | - |
| | B | 47 | mm | - |
| | b | 95 | mm | - |
| | c | 40 | mm | - |
| | D | 215 | mm | - |
| | d ₂ | 120 | mm | - |
| | d ₄ | 90 | mm | - |
| | e | 524 | mm | - |
| | h | 130 | mm | - |
| | m | 320 | mm | - |
| | n | 500 | mm | - |
| | s | M20 | | - |
| | w ₂ | 170 | mm | - |
| | w ₃ | 173 | mm | - |
| | w ₄ | 269.5 | mm | - |
| | w ₅ | 454 | mm | - |
| | w ₆ | 1040 | mm | - |
| w ₇ | 316.5 | mm | - | |
| 说明 | | NU320-E-TVP2 | | 型号, 轴承, 左侧 |
| | | NU320-E-TVP2 + 6320 | | 型号, 轴承, 右侧 |
| | | VR320-E | | 轴承座 |
| | | VRW320-C | | 轴, 完全 |
| 重量 | m ₁ | 92000 | g | 质量, 轴承座 |
| | m ₂ | 186000 | g | 质量, 单元 |
| 说明 | | VRE3 | | 型号, 轴承单元系列 |

FAG VRE320-E图片



参考资料:<http://www.sozhou.com/p/9016e34a.html>