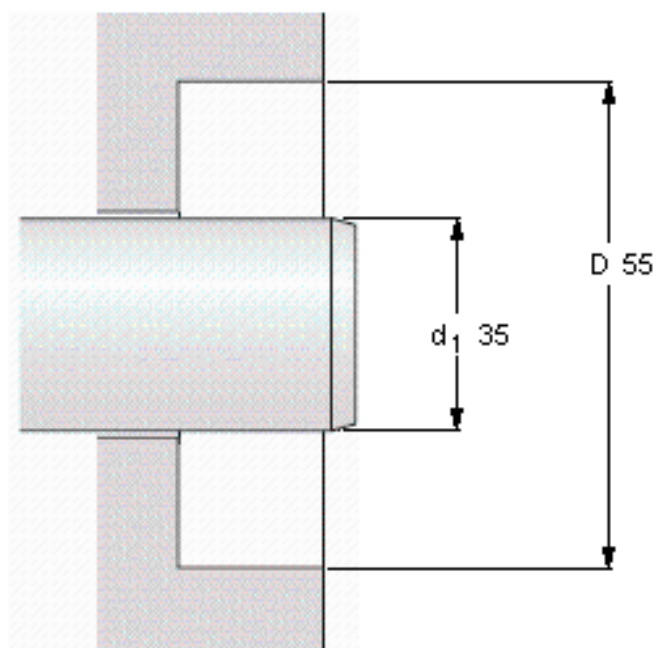


SKF 35X55X8 CRW1 R参数

| | | | | |
|-----------------------------------|---|----------------|----|---|
| 主要尺寸 | d_1 | 35 | mm | - |
| | d1 | 55 | mm | - |
| | b | 8 | mm | - |
| 设计 | 设计 | CRW1 | - | - |
| 密封唇材料 | 密封唇材料 | R | - | - |
| Pressuredifferential [MPa/psi] | Pressure differential [MPa / psi] | 0.07 | - | - |
| 型号 | 型号 | 35X55X8 CRW1 R | - | - |
| 美国图纸编号 | 美国图纸编号 | 13954 | - | - |

SKF 35X55X8 CRW1 R图片



Permissible operating temperature [°C / °F]

| | |
|-----------|---------------|
| 最小 | 最大 |
| -40 / -40 | 100 / 212 |
| | short periods |
| | 120 / 248 |

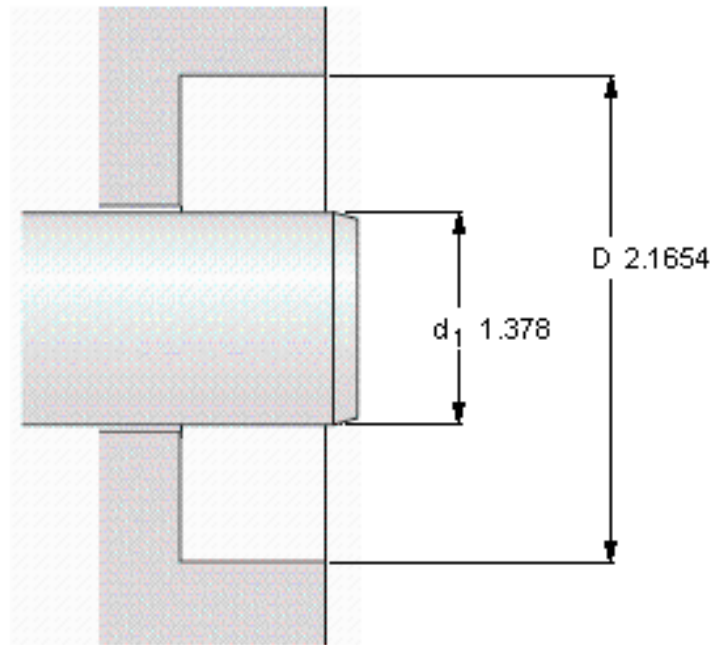
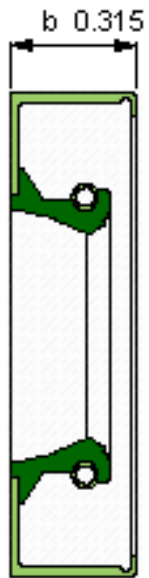
Rotational speed [r/min]

| |
|--|
| 9822 |
| at circumferential speed [m/s / ft/s] |
| 18 / 59,04 |

Pressure differential [MPa / psi]

0,07 / 10,15

See also "Permissible speeds" and "Chemical and thermal resistance"



Permissible operating temperature [°C / °F]

| | |
|-----------|---------------|
| 最小 | 最大 |
| -40 / -40 | 100 / 212 |
| | short periods |
| | 120 / 248 |

Rotational speed [r/min]

9822
at circumferential speed [m/s / ft/s]
 18 / 59,04

Pressure differential [MPa / psi]

0,07 / 10,15

See also "Permissible speeds" and "Chemical and thermal resistance"

参考资料:<http://www.sozhou.com/p/95dfdf81.html>