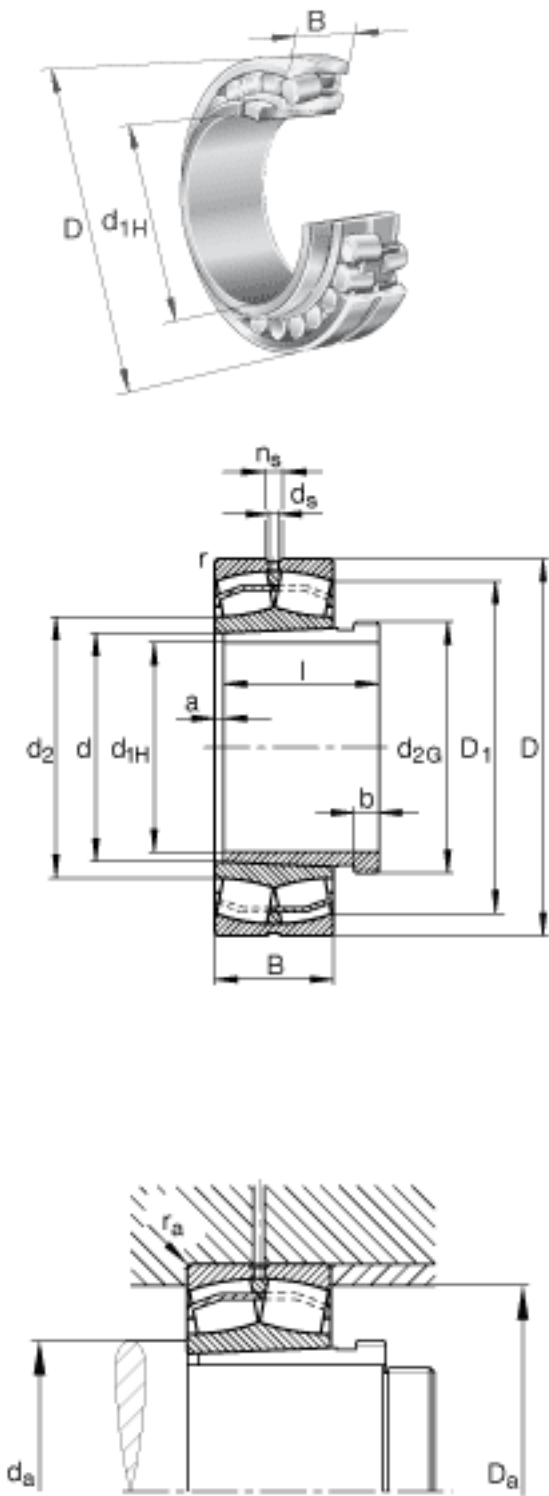


FAG 23122-E1A-K-M + AHX3122参数

|        |              |        |         |             |         |
|--------|--------------|--------|---------|-------------|---------|
| 尺寸     | $d_{1H}$     | 105    | mm      | -           |         |
|        | D            | 180    | mm      | -           |         |
|        | B            | 56     | mm      | -           |         |
|        | a            | 4      | mm      | -           |         |
|        | b            | 11     | mm      | -           |         |
|        | $D_1$        | 160    | mm      | -           |         |
|        | $D_{a\ max}$ | 169    | mm      | -           |         |
|        | d            | 110    | mm      | -           |         |
|        | $d_{2G}$     | M120x2 |         | -           |         |
|        | $d_{a\ min}$ | 121    | mm      | -           |         |
|        | $d_s$        | 4.8    | mm      | -           |         |
|        | l            | 68     | mm      | -           |         |
|        | $n_s$        | 9.5    | mm      | -           |         |
|        | $r_{a\ max}$ | 2      | mm      | -           |         |
|        | $r_{min}$    | 2      | mm      | -           |         |
|        | 说明           |        | AHX3122 |             | 型号, 退卸套 |
|        | 重量           | m      | 5100    | g           | 质量      |
| $m_1$  |              | 790    | g       | 质量, 退卸套     |         |
| 基本额定载荷 | $C_r$        | 530000 | N       | 基本额定动载荷, 径向 |         |
| 计算系数   | e            | 0.28   |         | -           |         |
|        | $Y_1$        | 2.41   |         | -           |         |
|        | $Y_2$        | 3.59   |         | -           |         |
| 基本额定载荷 | $C_{0r}$     | 680000 | N       | 基本额定静载荷, 径向 |         |
| 计算系数   | $Y_0$        | 2.35   |         | -           |         |
| 极限转速   | $n_G$        | 3700   | r/min   | 极限转速        |         |
| 参考转速   | $n_B$        | 2600   | r/min   | 参考速度        |         |
| 疲劳极限载荷 | $C_{ur}$     | 61000  | N       | 疲劳极限载荷, 径向  |         |

FAG 23122-E1A-K-M + AHX3122图片



参考资料:<http://www.sozhou.com/p/9c0e256b.html>