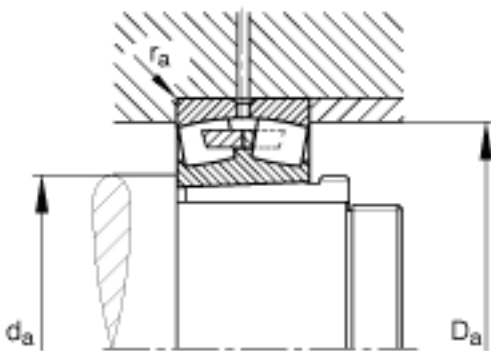
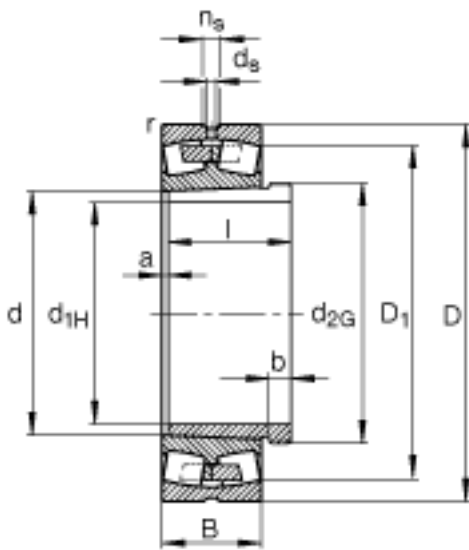


FAG 24168-B-K30 + AH24168参数

| | | | | |
|--------|--------------|---------|-------|-------------|
| 尺寸 | d_{1H} | 320 | mm | - |
| | D | 580 | mm | - |
| | B | 243 | mm | - |
| | a | 19 | mm | - |
| | b | 26 | mm | - |
| | D_1 | 481.1 | mm | - |
| | $D_{a\ max}$ | 560 | mm | - |
| | d | 340 | mm | - |
| | d_{2G} | Tr360x5 | | - |
| | $d_{a\ min}$ | 360 | mm | - |
| | d_s | 9.5 | mm | - |
| | l | 269 | mm | - |
| | n_s | 17.7 | mm | - |
| | $r_{a\ max}$ | 4 | mm | - |
| | r_{min} | 5 | mm | - |
| 说明 | | AH24168 | | 型号, 退卸套 |
| 重量 | m | 260000 | g | 质量 |
| | m_1 | 28000 | g | 质量, 退卸套 |
| 基本额定载荷 | C_r | 4400000 | N | 基本额定动载荷, 径向 |
| 计算系数 | e | 0.43 | | - |
| | Y_1 | 1.56 | | - |
| | Y_2 | 2.32 | | - |
| 基本额定载荷 | C_{0r} | 8500000 | N | 基本额定静载荷, 径向 |
| 计算系数 | Y_0 | 1.53 | | - |
| 极限转速 | n_G | 920 | r/min | 极限转速 |
| 参考转速 | n_B | 380 | r/min | 参考速度 |
| 疲劳极限载荷 | C_{ur} | 680000 | N | 疲劳极限载荷, 径向 |

FAG 24168-B-K30 + AH24168图片



参考资料:<http://www.sozhou.com/p/a45c886d.html>