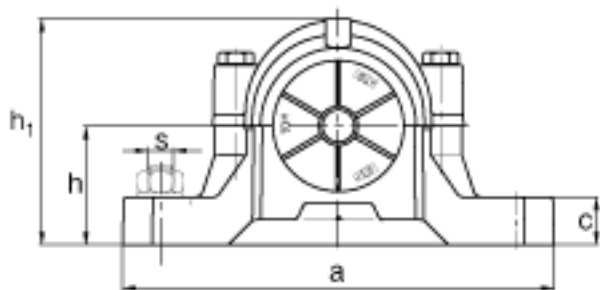
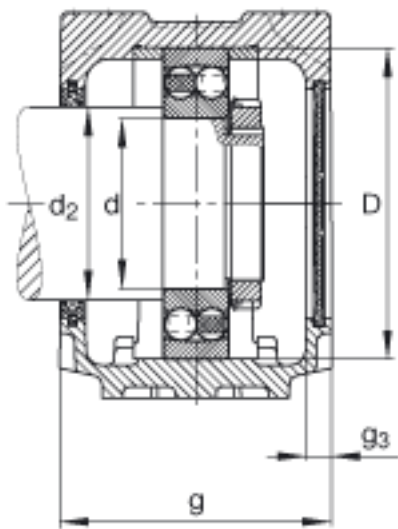
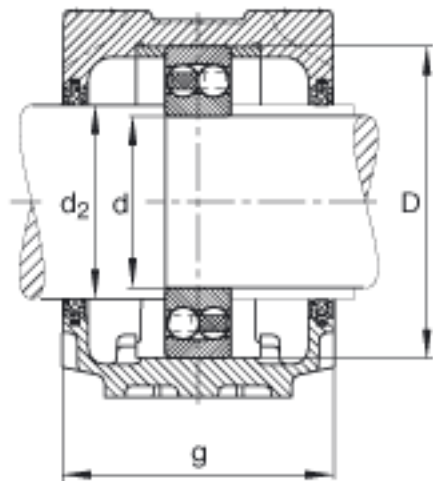


FAG SNV140-F-L + 1313 + FSV313参数

| | | | | |
|----|-------|-------------|------|----------|
| 尺寸 | d | 65 | mm | - |
| | a | 315 | mm | - |
| | h_1 | 183 | mm | - |
| | g | 135 | mm | - |
| | b | 90 | mm | - |
| | c | 32 | mm | - |
| | D | 140 | mm | - |
| | d_2 | 75 | mm | - |
| | g_3 | 15 | mm | - |
| | h | 95 | mm | - |
| | m | 260 | mm | - |
| | s | M20 | | - |
| | s | 19.05 | mm | - |
| | u | 22 | mm | - |
| | v | 27 | mm | - |
| | 重量 | m_1 | 9300 | g |
| 说明 | | 1313 | | 型号, 轴承 |
| | | KM13 | | 型号, 锁紧螺母 |
| | | MB13 | | 型号, 爪式垫圈 |
| | | FRM140/12.5 | | 型号, 定位圈 |
| | | FSV313 | | 型号, 毛毡密封 |
| | | DKV140 | | 型号, 端盖 |
| | | SNV140-F-L | | 型号, 轴承座 |

FAG SNV140-F-L + 1313 + FSV313图片





参考资料:<http://www.sozhou.com/p/a8d0a5b4.html>

