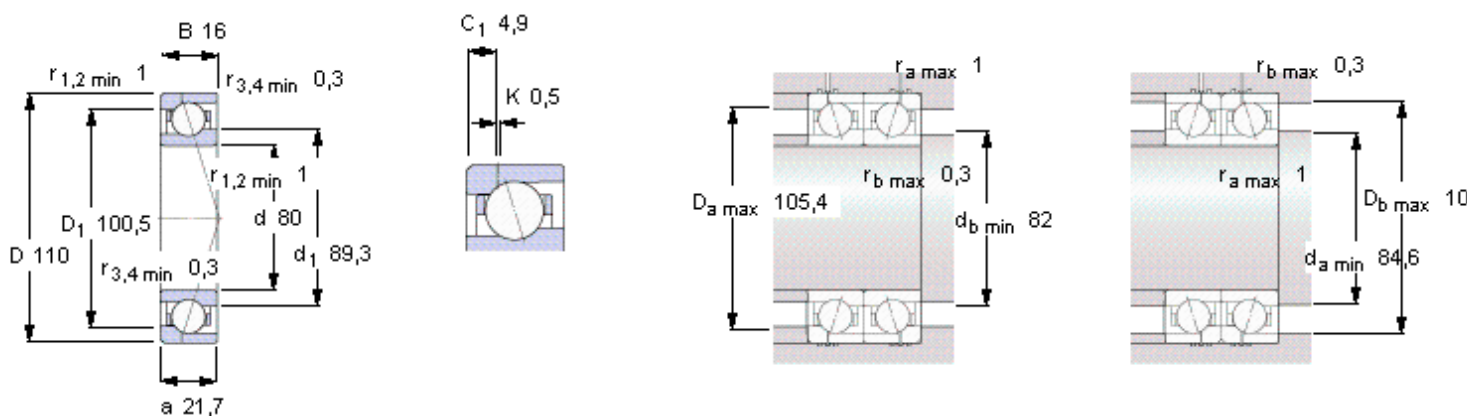


SKF 71916 CE/HCP4AH1参数

主要尺寸	d	80	mm	-
	D	110	mm	-
	B	16	mm	-
基本额定载荷	C	22500	N	动载荷
	C_0	18000	N	静载荷
疲劳载荷极限	P_u	750	N	-
可达转速	Grease	19000	r/min	-
	Oil-air	30000	r/min	-
重量	重量	310	g	-
型号	型号	71916 CE/HCP4AH1	-	-

SKF 71916 CE/HCP4AH1图片



Ball diameter 9,525

Number of balls 24

未安装时的预载荷 [N]

背对背配置，面对面配置

预载荷等级

A	B	C	D
123	370	740	-

Static axial stiffness [N/μm]

(guideline value)

预载荷等级

A	B	C	D
62	99	136	-

Reference grease quantity [cm³]

G_{ref} 4,8

计算系数

for equivalent bearing load

f_0 8,6

for preload in mounted bearing sets

f 1,19

f_1 1

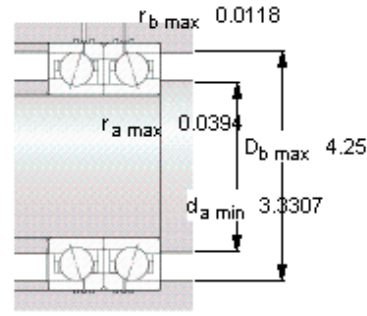
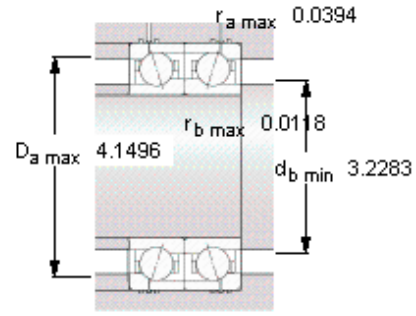
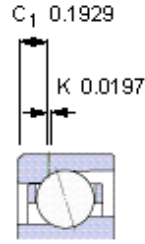
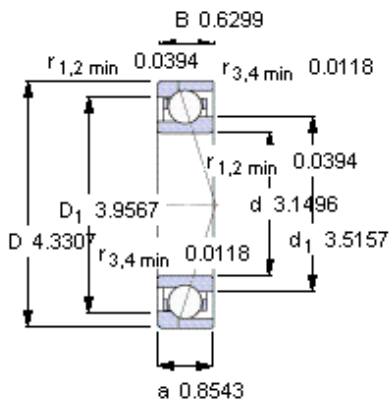
f_{2A} 1

f_{2B} 1,05

f_{2C} 1,09

f_{2D} -

f_{HC} 1,01



Ball diameter 9,525
Number of balls 24

未安装时的预载荷 [N]
 背对背配置，面对面配置
 预载荷等级

A	B	C	D
123	370	740	-

Static axial stiffness [N/μm]
 (guideline value)

预载荷等级

A	B	C	D
62	99	136	-

Reference grease quantity [cm³]
 G_{ref} 4,8

计算系数
for equivalent bearing load
 f₀ 8,6

for preload in mounted bearing sets
 f 1,19
 f₁ 1
 f_{2A} 1
 f_{2B} 1,05
 f_{2C} 1,09
 f_{2D} -
 f_{HC} 1,01