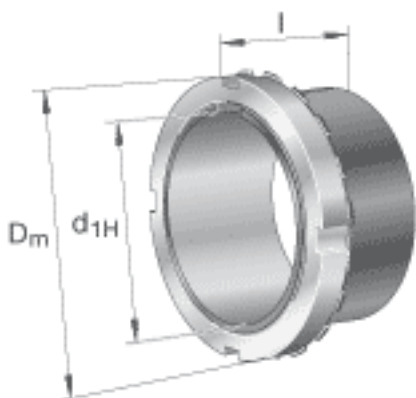
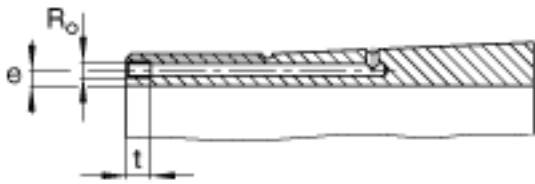


FAG H31/1400-HG参数

| | | | | |
|----|-----------------|-----------|----|-----------|
| 尺寸 | e | 15 | mm | - |
| | R _o | G1/4 | | - |
| | t | 15 | mm | - |
| 说明 | | 1320 | mm | 轴 |
| | | HM31/1400 | | 型号, 螺母 |
| | | MS31/1000 | | 型号, 止动装置 |
| | | M24X45 | | 型号, 六角头螺栓 |
| 重量 | m | 1790000 | g | 质量 |
| 尺寸 | d _{1H} | 1320 | mm | - |
| | D _m | 1640 | mm | - |
| | l | 735 | mm | - |
| | c | 130 | mm | - |
| | c ₁ | 155 | mm | - |
| | d | 1400 | mm | - |
| | d _{2G} | Tr1400x8 | mm | - |

FAG H31/1400-HG图片





参考资料:<http://www.sozhou.com/p/aa739fe2.html>