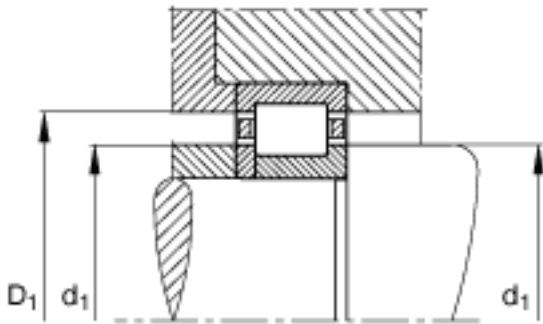
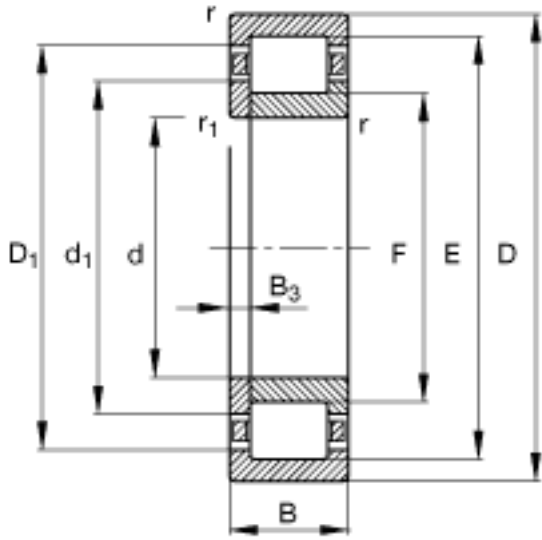
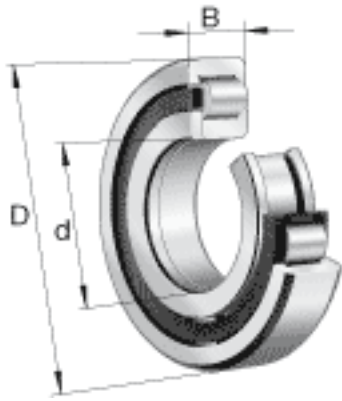


FAG NUP305-E-TVP2参数

| | | | | |
|--------|---------------|-------|-------|-------------|
| 尺寸 | F | 34 | mm | - |
| | $r_{1\ min}$ | 1.1 | mm | - |
| | $r_{a\ max}$ | 1 | mm | - |
| | $r_{a1\ max}$ | 1 | mm | - |
| | r_{\min} | 1.1 | mm | - |
| | s | 0 | mm | 距离中心位置的轴向偏移 |
| 重量 | m | 256 | g | 质量 |
| 基本额定载荷 | C_r | 49000 | N | 基本额定动载荷, 径向 |
| | C_{0r} | 37500 | N | 基本额定静载荷, 径向 |
| 极限转速 | n_G | 14400 | r/min | 极限转速 |
| 参考转速 | n_B | 10200 | r/min | 参考速度 |
| 疲劳极限载荷 | C_{ur} | 5600 | N | 疲劳极限载荷, 径向 |
| 尺寸 | d | 25 | mm | - |
| | D | 62 | mm | - |
| | B | 17 | mm | - |
| | B_3 | 3 | mm | - |
| | D_1 | 50.7 | mm | - |
| | $D_{a\ max}$ | 55 | mm | - |
| | d_1 | 38.1 | mm | - |
| | $d_{a\ max}$ | 33 | mm | - |
| | $d_{a\ min}$ | 32 | mm | - |
| | $d_{c\ min}$ | 40 | mm | - |

FAG NUP305-E-TVP2图片



参考资料:<http://www.sozhou.com/p/aaaa921d.html>

