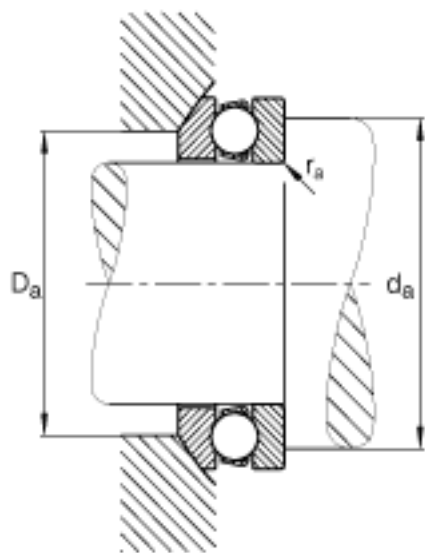
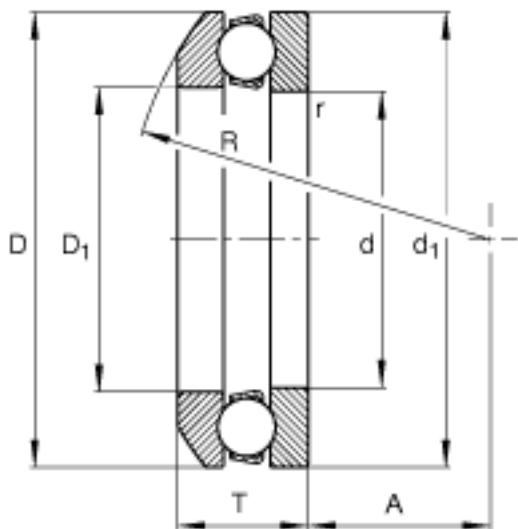


FAG 53205参数

| | | | | | |
|----------|--------------|-------|-------|-------------|-------------|
| 尺寸 | d | 25 | mm | - | |
| | D | 47 | mm | - | |
| | T | 16.7 | mm | - | |
| | A | 19 | mm | - | |
| | D_1 | 27 | mm | - | |
| | $D_{a \max}$ | 36 | mm | - | |
| | d_1 | 47 | mm | - | |
| | $d_{a \min}$ | 38 | mm | - | |
| | R | 40 | mm | - | |
| | $r_{a \max}$ | 0.6 | mm | - | |
| | r_{\min} | 0.6 | mm | - | |
| | 重量 | m | 121 | g | 质量 |
| | 基本额定载荷 | C_a | 28000 | N | 基本额定动载荷, 轴向 |
| C_{0a} | | 50000 | N | 基本额定静载荷, 轴向 | |
| 尺寸 | A | 0.013 | | 最小载荷系数 | |
| 极限转速 | n_G | 7500 | r/min | 极限转速 | |
| 疲劳极限载荷 | C_{ua} | 2220 | N | 疲劳极限载荷, 轴向 | |

FAG 53205图片





参考资料:<http://www.sozhou.com/p/aba26c54.html>