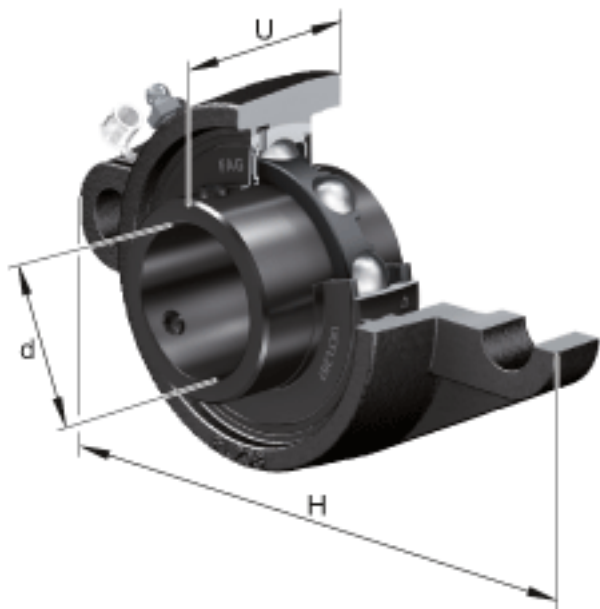
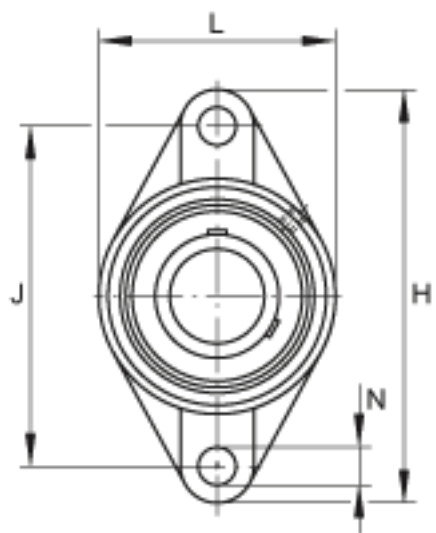


FAG UCFL201-08参数

| | | | | |
|----|----------------|----------|----|------------|
| 尺寸 | d | 12.7 | mm | - |
| | H | 113 | mm | - |
| | U | 33.3 | mm | - |
| | A | 25.5 | mm | - |
| | A ₁ | 12 | mm | - |
| | A ₂ | 15 | mm | - |
| | B | 31 | mm | - |
| | J | 90 | mm | - |
| | L | 60 | mm | - |
| | N | 12 | mm | - |
| 重量 | m | 470 | g | 重量 |
| 说明 | | FL204 | | 型号, 轴承座 |
| | | UC201-08 | | 型号, 外球面球轴承 |

FAG UCFL201-08图片





参考资料:<http://www.sozhou.com/p/b05d8c62.html>