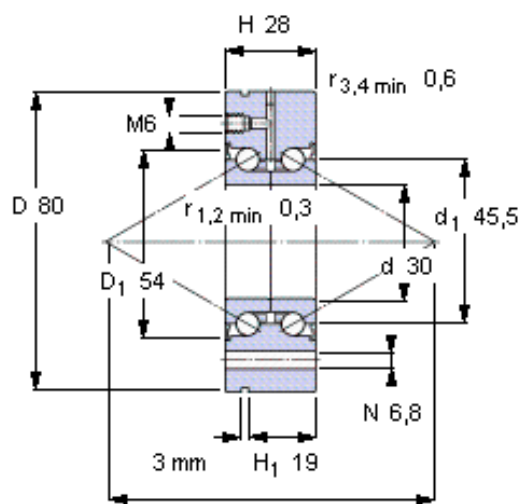


SKF BEAM 030080-2RS/PE参数

主要尺寸	d	30	mm	-
	D	80	mm	-
	H	28	mm	-
基本额定载荷	C	29100	N	动载荷
	C_0	64000	N	静载荷
疲劳载荷极限	P_u	2360	N	-
可达转速	Attainable speed	2600	r/min	-
重量	重量	780	g	-
型号	型号	BEAM 030080-2RS/PE	-	-

SKF BEAM 030080-2RS/PE图片



Preload¹⁾ [N]

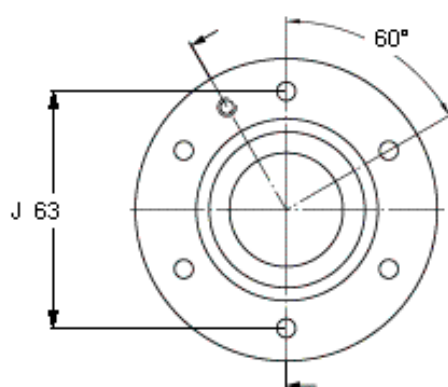
2170

Frictional moment¹⁾ [Nm]

(guideline value)

0,5

¹⁾ Values apply to unmounted bearings



Static stiffness¹⁾

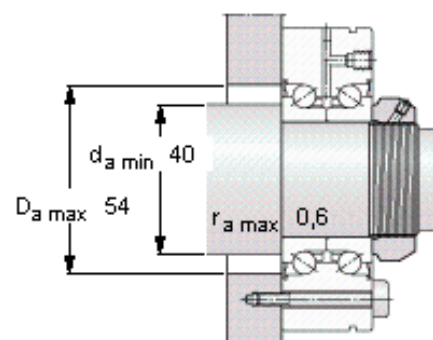
(guideline values)

Axial [N/μm]

870

Moment [Nm/mrad]

300

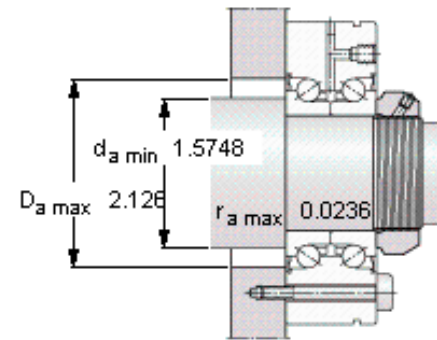
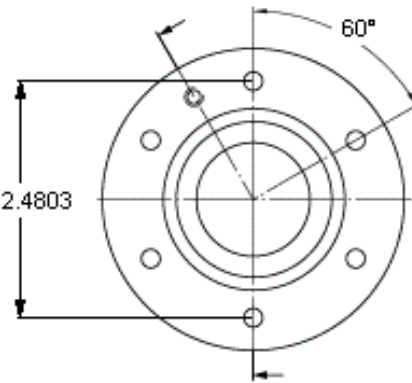
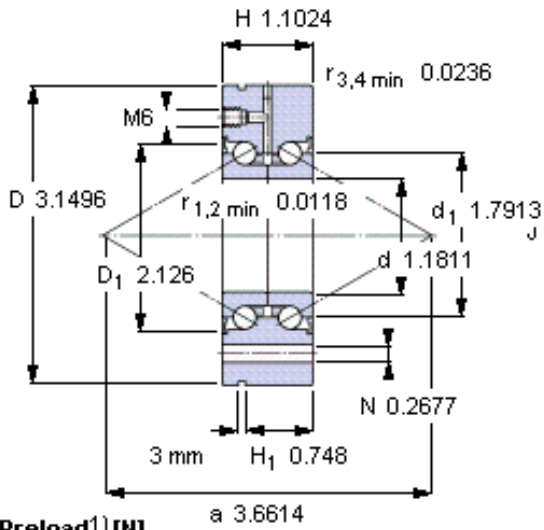


Required attachment bolts

(no. of bolts x pitch)

6 x 60°

参考资料: <http://www.sozhou.com/p/b3c9c69e.html>



Preload¹⁾ [N]

2170

Frictional moment¹⁾ [Nm]

(guideline value)

0,5

¹⁾ Values apply to unmounted bearings

Static stiffness¹⁾

(guideline values)

Axial [N/μm] 870

Moment [Nm/mrad] 300

Required attachment bolts

(no. of bolts x pitch)

6 x 60°