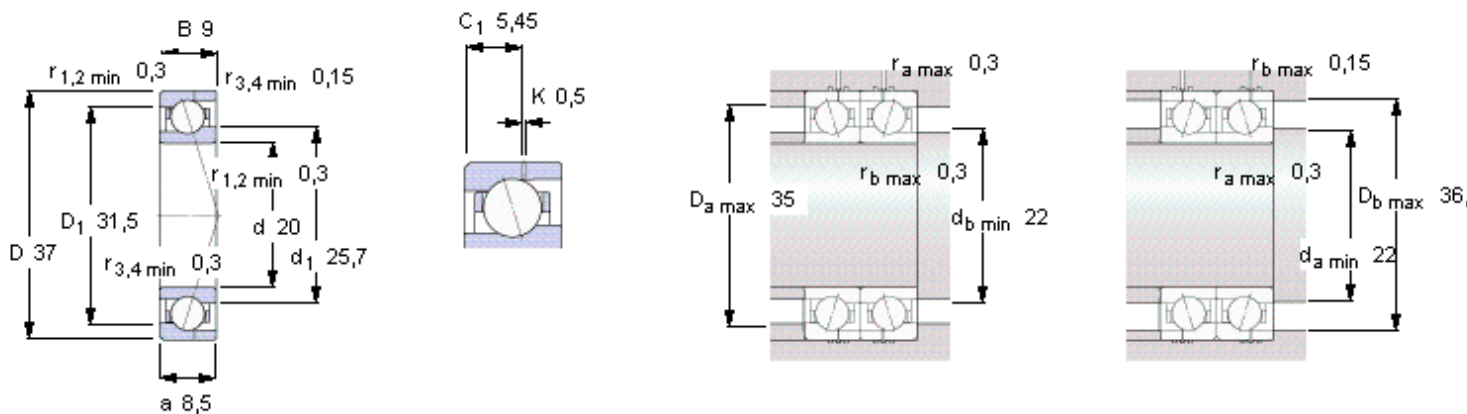


SKF 71904 CE/HCP4AH参数

主要尺寸	d	20	mm	-
	D	37	mm	-
	B	9	mm	-
基本额定载荷	C	4880	N	动载荷
	C_0	2400	N	静载荷
疲劳载荷极限	P_u	102	N	-
可达转速	Grease	68000	r/min	-
	Oil-air	106000	r/min	-
重量	重量	32	g	-
型号	型号	71904 CE/HCP4AH	-	-

SKF 71904 CE/HCP4AH图片



Ball diameter 4,762

Number of balls 14

未安装时的预载荷 [N]

背对背配置，面对面配置

预载荷等级

A	B	C	D
26	79	157	-

Static axial stiffness [N/μm]

(guideline value)

预载荷等级

A	B	C	D
20	31	43	-

Reference grease quantity [cm³]

G_{ref} 0,5

计算系数

for equivalent bearing load

f_0 7,8

for preload in mounted bearing sets

f 1,04

f_1 1

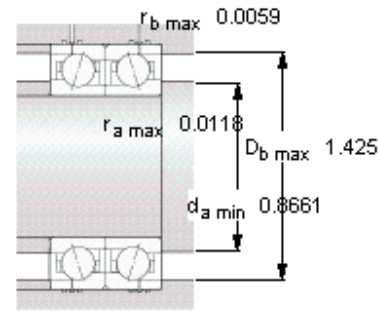
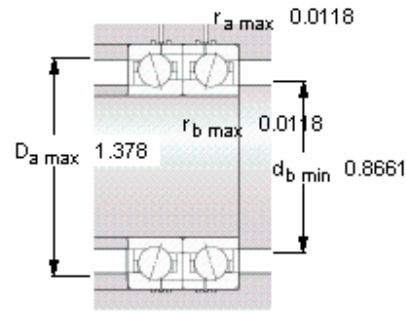
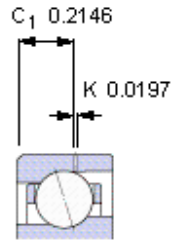
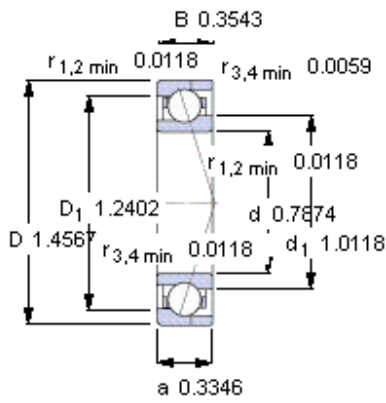
f_{2A} 1

f_{2B} 1,05

f_{2C} 1,09

f_{2D} -

f_{HC} 1,01



Ball diameter 4,762
Number of balls 14

未安装时的预载荷 [N]

背对背配置，面对面配置

预载荷等级

A	B	C	D
26	79	157	-

Static axial stiffness [N/μm]

(guideline value)

预载荷等级

A	B	C	D
20	31	43	-

Reference grease quantity [cm³]

G_{ref} 0,5

计算系数

for equivalent bearing load

f₀ 7,8

for preload in mounted bearing sets

f 1,04

f₁ 1

f_{2A} 1

f_{2B} 1,05

f_{2C} 1,09

f_{2D} -

f_{HC} 1,01