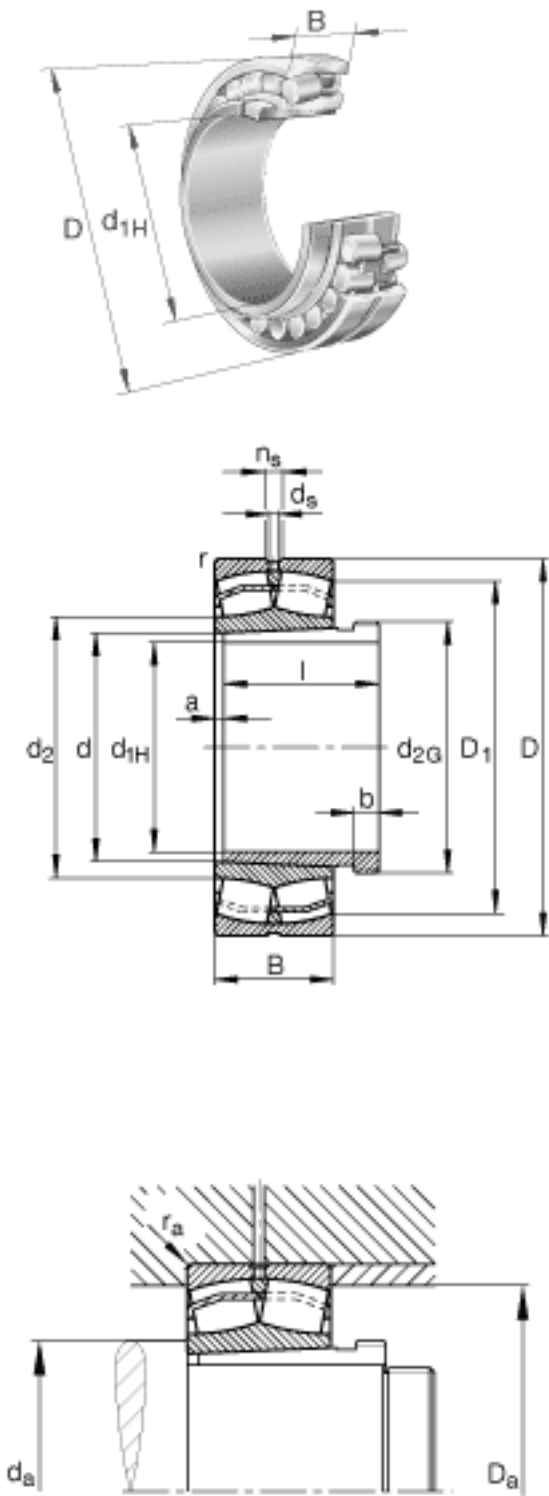


FAG 23132-E1A-K-M + AH3132A参数

| | | | | |
|--------|--------------|---------|-------|-------------|
| 尺寸 | d_{1H} | 150 | mm | - |
| | D | 270 | mm | - |
| | B | 86 | mm | - |
| | a | 5 | mm | - |
| | b | 16 | mm | - |
| | D_1 | 238.3 | mm | - |
| | $D_{a\ max}$ | 258 | mm | - |
| | d | 160 | mm | - |
| | d_{2G} | M170x3 | | - |
| | $d_{a\ min}$ | 172 | mm | - |
| | d_s | 8 | mm | - |
| | l | 103 | mm | - |
| | n_s | 15 | mm | - |
| | $r_{a\ max}$ | 2.1 | mm | - |
| | r_{min} | 2.1 | mm | - |
| 说明 | | AH3132A | | 型号, 退卸套 |
| 重量 | m | 18600 | g | 质量 |
| | m_1 | 2900 | g | 质量, 退卸套 |
| 基本额定载荷 | C_r | 1160000 | N | 基本额定动载荷, 径向 |
| 计算系数 | e | 0.29 | | - |
| | Y_1 | 2.32 | | - |
| | Y_2 | 3.45 | | - |
| 基本额定载荷 | C_{0r} | 1550000 | N | 基本额定静载荷, 径向 |
| 计算系数 | Y_0 | 2.26 | | - |
| 极限转速 | n_G | 2490 | r/min | 极限转速 |
| 参考转速 | n_B | 1590 | r/min | 参考速度 |
| 疲劳极限载荷 | C_{ur} | 163000 | N | 疲劳极限载荷, 径向 |

FAG 23132-E1A-K-M + AH3132A图片



参考资料:<http://www.sozhou.com/p/bc37288f.html>