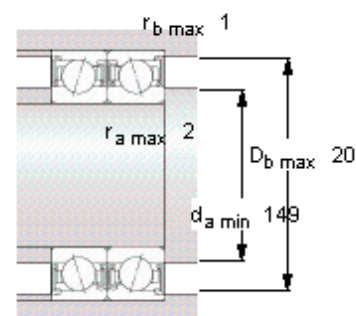
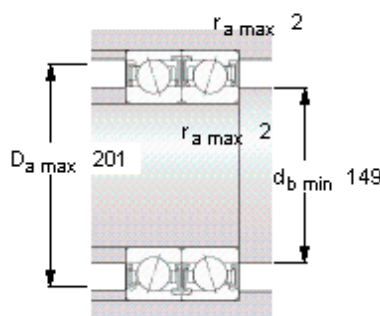
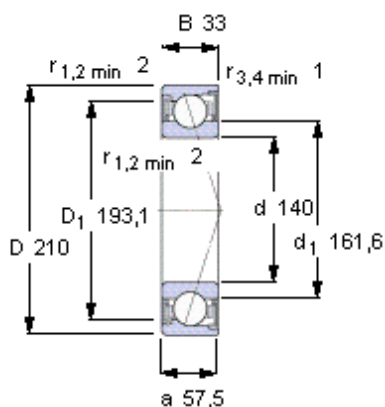


SKF S7028 ACD/P4A参数

| | | | | |
|--------|---------|---------------|-------|-----|
| 主要尺寸 | d | 140 | mm | - |
| | D | 210 | mm | - |
| | B | 33 | mm | - |
| 基本额定载荷 | C | 146000 | N | 动载荷 |
| | C_0 | 156000 | N | 静载荷 |
| 疲劳载荷极限 | P_u | 5100 | N | - |
| 可达转速 | Grease | 5600 | r/min | - |
| | Oil-air | - | r/min | - |
| 重量 | 重量 | 3450 | g | - |
| 型号 | 型号 | S7028 ACD/P4A | - | - |

SKF S7028 ACD/P4A图片



Ball diameter 22,225

Number of balls 22

未安装时的预载荷 [N]

背对背配置，面对面配置

预载荷等级

| | | | |
|-----|------|------|------|
| A | B | C | D |
| 900 | 1800 | 3600 | 7200 |

Static axial stiffness [N/μm]

(guideline value)

预载荷等级

| | | | |
|-----|-----|-----|-----|
| A | B | C | D |
| 364 | 477 | 633 | 856 |

Reference grease quantity [cm³]

G_{ref} -

计算系数

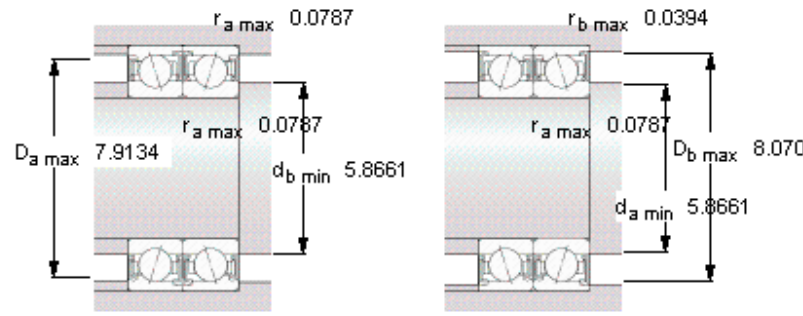
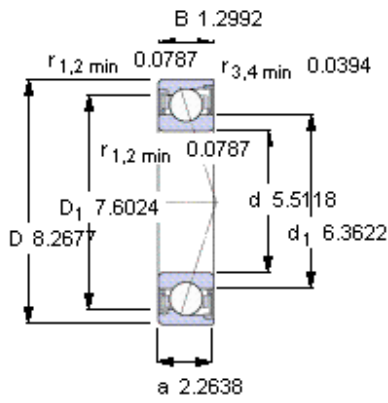
for equivalent bearing load

| | | |
|-------|-------|-------------|
| | 单列，串联 | 背对背配置，面对面配置 |
| e | 0,68 | 0,68 |
| X_1 | 1 | 1 |
| Y_1 | 0 | 0,92 |
| X_2 | 0,41 | 0,67 |
| Y_2 | 0,87 | 1,41 |
| X_0 | 0,5 | 1 |
| Y_0 | 0,38 | 0,76 |

for preload in mounted bearing sets

| | |
|----------|------|
| f | 1,16 |
| f_1 | 0,99 |
| f_{2A} | 1 |
| f_{2B} | 1,02 |
| f_{2C} | 1,05 |
| f_{2D} | 1,08 |
| f_{HC} | 1 |

参考资料: <http://www.sozhou.com/p/bc8d5cfe.html>



Ball diameter 22,225

Number of balls 22

未安装时的预载荷 [N]

背对背配置，面对面配置

预载荷等级

| A | B | C | D |
|-----|------|------|------|
| 900 | 1800 | 3600 | 7200 |

Static axial stiffness [N/μm]

(guideline value)

预载荷等级

| A | B | C | D |
|-----|-----|-----|-----|
| 364 | 477 | 633 | 856 |

Reference grease quantity [cm³]

G_{ref} -

计算系数

for equivalent bearing load

| | 单列，串联 | 背对背配置，面对面配置 |
|----------------|-------|-------------|
| e | 0,68 | 0,68 |
| X ₁ | 1 | 1 |
| Y ₁ | 0 | 0,92 |
| X ₂ | 0,41 | 0,67 |
| Y ₂ | 0,87 | 1,41 |
| X ₀ | 0,5 | 1 |
| Y ₀ | 0,38 | 0,76 |

for preload in mounted bearing sets

| | |
|-----------------|------|
| f | 1,16 |
| f ₁ | 0,99 |
| f _{2A} | 1 |
| f _{2B} | 1,02 |
| f _{2C} | 1,05 |
| f _{2D} | 1,08 |
| f _{HC} | 1 |