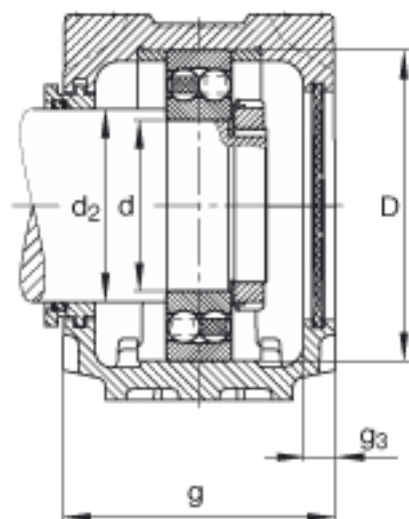
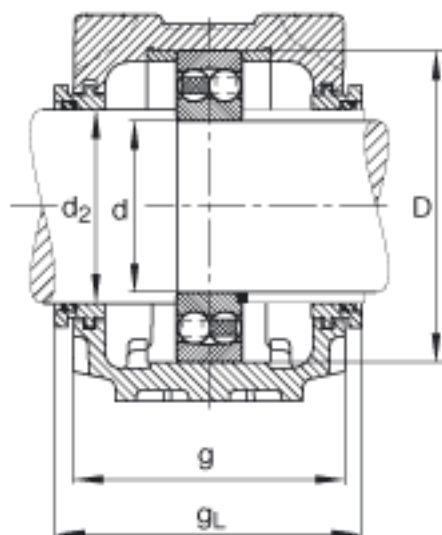
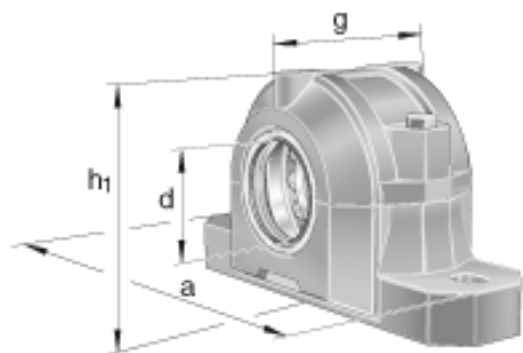


FAG SNV125-F-L + 1214 + TSV214参数

| | | | | |
|----|-------|------------|----|----------|
| 说明 | | TSV214 | | 型号, 迷宫密封 |
| | | DKV150 | | 型号, 端盖 |
| | | SNV125-F-L | | 型号, 轴承座 |
| | | MB14 | | 型号, 爪式垫圈 |
| | | FRM125/7.5 | | 型号, 定位圈 |
| 尺寸 | d | 70 | mm | - |
| | a | 275 | mm | - |
| | h_1 | 158 | mm | - |
| | g | 105 | mm | - |
| | b | 80 | mm | - |
| | c | 30 | mm | - |
| | D | 125 | mm | - |
| | d_2 | 80 | mm | - |
| | g_3 | 15 | mm | - |
| | g_L | 120.3 | mm | - |
| | h | 80 | mm | - |
| | m | 230 | mm | - |
| | s | M16 | | - |
| | s | 15.875 | mm | - |
| | u | 18 | mm | - |
| | v | 23 | mm | - |
| 重量 | m_1 | 6500 | g | 质量, 轴承座 |
| 说明 | | 1214 | | 型号, 轴承 |
| | | KM14 | | 型号, 锁紧螺母 |

FAG SNV125-F-L + 1214 + TSV214图片





参考资料:<http://www.sozhou.com/p/c2360b44.html>