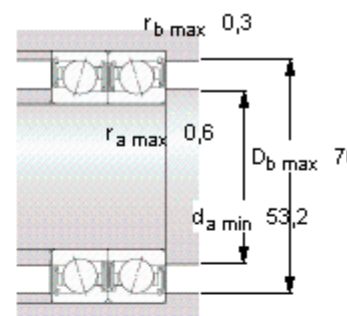
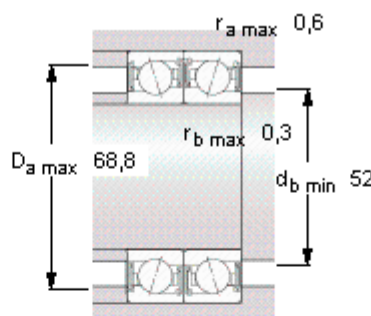
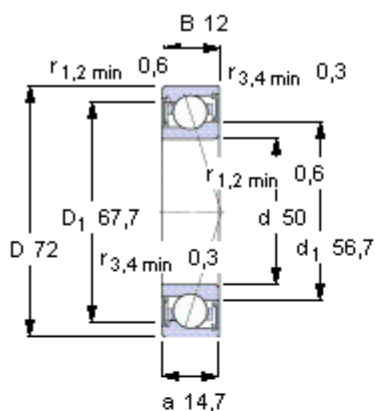


SKF S71910 CE/HCP4A参数

主要尺寸	d	50	mm	-
	D	72	mm	-
	B	12	mm	-
基本额定载荷	C	12700	N	动载荷
	C_0	8650	N	静载荷
疲劳载荷极限	P_u	365	N	-
可达转速	Grease	32000	r/min	-
	Oil-air	-	r/min	-
重量	重量	110	g	-
型号	型号	S71910 CE/HCP4A	-	-

SKF S71910 CE/HCP4A图片



Ball diameter 7,144

Number of balls 21

未安装时的预载荷 [N]

背对背配置，面对面配置

预载荷等级

A	B	C	D
69	210	410	-

Static axial stiffness [N/μm]

(guideline value)

预载荷等级

A	B	C	D
42	68	92	-

Reference grease quantity [cm³]

G_{ref} -

计算系数

for equivalent bearing load

f_0 8,4

for preload in mounted bearing sets

f 1,15

f_1 1

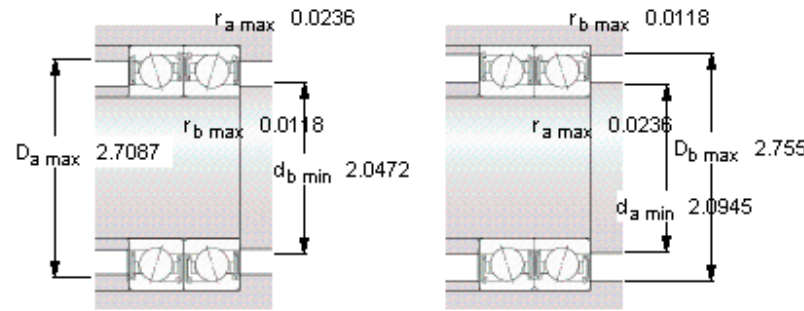
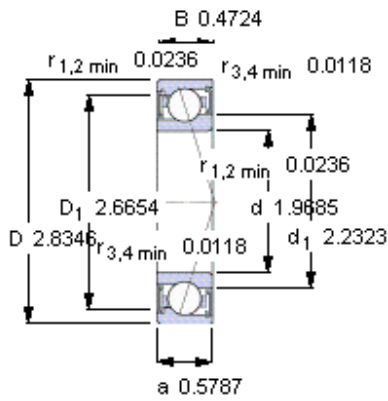
f_{2A} 1

f_{2B} 1,05

f_{2C} 1,09

f_{2D} -

f_{HC} 1,01



Ball diameter 7,144

Number of balls 21

未安装时的预载荷 [N]

背对背配置，面对面配置

预载荷等级

A	B	C	D
69	210	410	-

Static axial stiffness [N/μm]

(guideline value)

预载荷等级

A	B	C	D
42	68	92	-

Reference grease quantity [cm³]

G_{ref} -

计算系数

for equivalent bearing load

f₀ 8,4

for preload in mounted bearing sets

f 1,15

f₁ 1

f_{2A} 1

f_{2B} 1,05

f_{2C} 1,09

f_{2D} -

f_{HC} 1,01