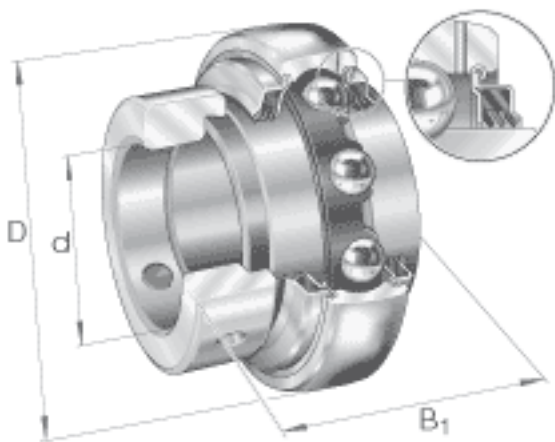


INA GE25-KTT-B参数

| | | | | | |
|----------|--------------|-------|-------|-------------|------------|
| 尺寸 | d | 25 | mm | - | |
| | D_{SP} | 52 | mm | - | |
| | B_1 | 44.5 | mm | - | |
| | B | 34.9 | mm | - | |
| | C | 15 | mm | - | |
| | C_2 | 20.2 | mm | - | |
| | C_a | 3.9 | mm | - | |
| | D_1 | 42.5 | mm | - | |
| | d_1 | 33.8 | mm | - | |
| | $d_{3\ max}$ | 37.5 | mm | - | |
| | S | 17.5 | mm | - | |
| | W | 3 | mm | - | |
| | 重量 | m | 240 | g | 质量 |
| | 基本额定载荷 | C_r | 14000 | N | 基本额定动载荷，径向 |
| C_{0r} | | 7800 | N | 基本额定静载荷，径向 | |
| 说明 | | 6205 | | 相关轴承决定当量载荷。 | |

INA GE25-KTT-B图片



参考资料:<http://www.sozhou.com/p/c888bf42.html>

